

# XNB-H6461H

2MP Pinhole Height Strip Camera



## Camera Key Features

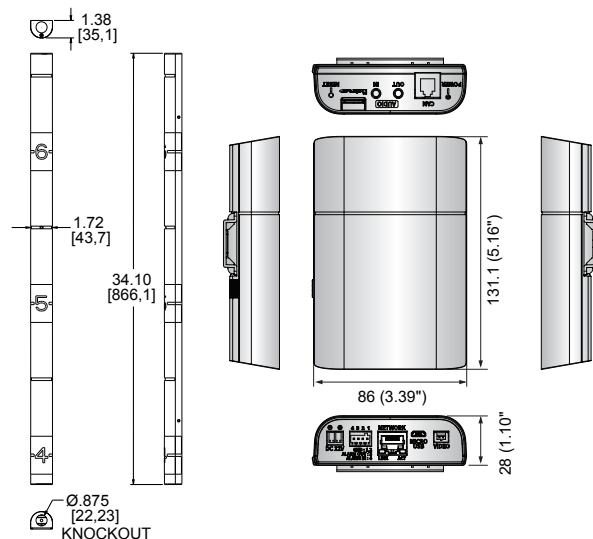
- 2 Megapixel (1920 x 1080) resolution
- H.265, H.264, MJPEG codec support, Multiple streaming
- 60fps@2MP (H.265 / H.264)
- WDR (120dB), Defog, DIS
- Tampering, Loitering, Directional detection, Fog detection, Audio detection, Digital auto tracking, Heatmap, People counting, Queue management, Face detection
- Motion detection, PTZ Handover
- SD / SDHC / SDXC memory slot (Max. 256GB)
- Hallway View, WiseStreamII support
- LDC, PoE / 12V DC, Bi-directional audio support

## Height Strip Key Features

- Designed for easy installation, fits most standard door frames
- Durable aluminum construction
- Highly visible color coded height levels
- Capture a person's face and approximate height
- 3 lens mounting positions
- Curved surface w/180° FOV camera adjustment
- Wrap-around labels visible from side

## Dimensions

Unit: inch (mm)



XNB-H6461H	
<b>VIDEO</b>	
Imaging Device	1/2.8" 2M CMOS
Total Pixels	1,945(H) x 1,109(V) 2.16M
Effective Pixels	1,945(H) x 1,097(V) 2.13M
Scanning System	Progressive Scan
Min. Illumination	Color : 0.06Lux (F2.5) B/W : 0.06Lux (F2.5)
Video Output	CVBS : 1.0 Vp-p / 75Ω composite, 720 x 480(N), 720 x 576(P) for installation USB : Micro USB type B, 1280 x 720 for installation
<b>LENS</b>	
Focal length	4.6mm Fixed focal
Max. Aperture ratio	F2.5
Angular Field of View	H : 73° / V : 39° / D : 85°
Min. Object Distance	0.3m (0.98ft)
Mount Type	RJ-12 connected with main unit
<b>OPERATIONAL</b>	
Camera Title	Off / On (Displayed up to 85 characters) · W/W : English / Numeric / Special characters · China : English / Numeric / Special / Chinese characters · Common : Multi-line (Max 5), Color (Gray / Green / Red / Blue / Black / White), Transparency, Auto scale by resolution
Day & Night	Auto (Electrical) / Color / B/W
Backlight Compensation	Off / BLC / HLC / WDR
Wide Dynamic Range	120dB
Contrast Enhancement	SSDR (Off / On)
Digital Noise Reduction	SSNRV (2D + 3D Noise filter) (Off / On)
Digital Image Stabilization	Off / On
Defog	Off / Auto / Manual
Motion Detection	Off / On (8ea, 8 point polygonal zones), Handover Off / On (32ea, polygonal zones)
Privacy Masking	- Color : Gray / Green / Red / Blue / Black / White - Mosaic
Gain Control	Off / Low / Middle / High
White Balance	ATW / AWC / Manual / Indoor / Outdoor (included Mercury & Sodium)
Contrast	Level adjustment
LDC (Lens Distortion Correction)	Off / On (5 Levels with min / max)
Electronic Shutter Speed	Minimum / Maximum / Anti flicker (2 ~ 1/12,000sec)
Digital PTZ	24x, Digital PTZ (Preset, Group)
Flip / Mirror	Off / On
Video & Audio Analytics	Tampering, Loitering, Directional detection, Defocus detection, Fog & Dust detection, Virtual line, Enter/Exit, (Dis)Appear, Audio detection, Face detection, Motion detection, Digital auto tracking, People counting, Heatmap, Queue management
Alarm I/O	Input 1ea / Output 1ea
Alarm Triggers	Alarm Triggers Motion detection, Video & Audio analytics, Network disconnect
Alarm Events	File upload Via FTP, E-Mail, Notification via e-mail, Local storage (SD / SDHC / SDXC) or NAS recording at event triggers, External output, DPTZ preset
Pixel Counter	Support
<b>NETWORK</b>	
Ethernet	RJ-45 (10/100BASE-T)
Video Compression Format	H.265 / H.264 (MPEG-4 part 10/AVC) : Main / Baseline / High, MJPEG
Resolution	1920 x 1080, 1280 x 1024, 1280 x 960, 1280 x 720, 1024 x 768, 800 x 600, 800 x 448, 720 x 576, 720 x 480, 640 x 480, 640 x 360, 320 x 240
Max. Framerate	H.265 / H.264 : Max. 60fps at all resolutions, MJPEG : Max. 30fps
Smart Codec	Manual mode (Area-based : Sea)
WiseStreamII	Support
Video Quality Adjustment	H.265 / H.264 / MJPEG : Target bitrate level control
Bitrate Control Method	H.265 / H.264 : CBR or VBR, MJPEG : VBR
Streaming Capability	Multiple streaming (Up to 10 profiles) Selectable (Mic in / Line in)
Audio In	Supply voltage : 2.5V DC (4mA), Input impedance : approx. 2K Ohm
Audio Out	Line out, Max output level : 1 Vrms
Audio Compression Format	G.711 u-law/G.726 Selectable, G.726 (ADPCM) 8KHz, G.711 8KHz G.726 : 16Kbps, 24Kbps, 32Kbps, 40Kbps, AAC-LC : 48Kbps at 16KHz
Audio Communication	Bi-directional (2-way)
IP	IPv4, IPv6
Protocol	TTCP/IP, UDP/IP, RTP/UDP), RTP(TCP), RTCP, RTPS, NTP, HTTP, HTTPS, SSL, DHCP, PPPoE, FTP, SMTP, ICMP, IGMP, SNMPv1/v2c/v3(MIB-2), ARP, DNS, DDNS, QoS, PIM-SM, UPnP, Bonjour
Security	HTTPS (SSL) Login authentication, Digest login authentication, IP address filtering, User access log, 802.1X Authentication (EAP-TLS, EAP-LEAP)
Streaming Method	Unicast / Multicast
Max. User Access	20 Users at Unicast Mode SD/SDHC/SDXC (256 GB)
Edge Storage	- Motion Images recorded in the SD/SDHC/SDXC memory card can be downloaded. NAS (Network Attached Storage), Local PC for instant recording
Application Programming Interface	ONVIF profile S/G, SUNAPI (HTTP API), Open Platform
Webpage Language	English, Korean, Chinese, French, Italian, Spanish, German, Japanese, Russian, Swedish, Portuguese, Czech, Polish, Turkish, Dutch, Hungarian, Greek Supported OS : Windows 7, 8.1, 10, Mac OS X 10.10, 10.11, 10.12 -Non-plugin Webviewer -Supported Browser : Google Chrome 61, MS Edge 40, Mozilla Firefox 56 (Window 64bit only) Apple Safari 10 (Mac OS X only)
Web Viewer	-Plug-in Webviewer -Supported Browser : MS Internet Explorer 11, Apple Safari 10 (Mac OS X only)
Central Management Software	Smart Viewer, SSM, Wisenet WAVE VMS
<b>ENVIRONMENTAL</b>	
Operating Temperature / Humidity	-10°C ~ +55°C (+14°F ~ +131°F) / Less than 90% RH
Storage Temperature / Humidity	-30°C ~ +60°C (-22°F ~ +140°F) / Less than 90% RH
<b>ELECTRICAL</b>	
Input Voltage / Current	12V DC, PoE (IEEE802.3af, Class3)
Power Consumption	Max. 6.5W (12V DC), Max. 6W (PoE)
<b>MECHANICAL</b>	
Color / Material	Height Strip: White, with colored height strips / Powder Coated Aluminum Cover, Powder Coated Steel Back Frame, Plastic Top Cap Main Unit : Ivory / Plastic
Dimensions (WxHxD)	Height strip: 86.1 x 43.7 x 35.1mm (1.72" x 1.72" x 1.38") Main Unit: 131.1 x 28 x 86mm (5.16" x 1.10" x 3.39")
Weight	Height Strip: 2lbs (0.9kg) / Camera Body: 245g (0.54 lb)