



Network

Multi-sensor

PNM-C32084RQZ-8XE256G-LU

4CH AI Multi-sensor Camera
with Lumeo Analytics



The 4CH AI Multi-sensor camera with Lumeo Analytics brings edge-based intelligence to your organization, transforming video into actionable insights. Unlike traditional solutions, it dynamically adapts to and consolidates AI analytics on a single platform.

Key Features

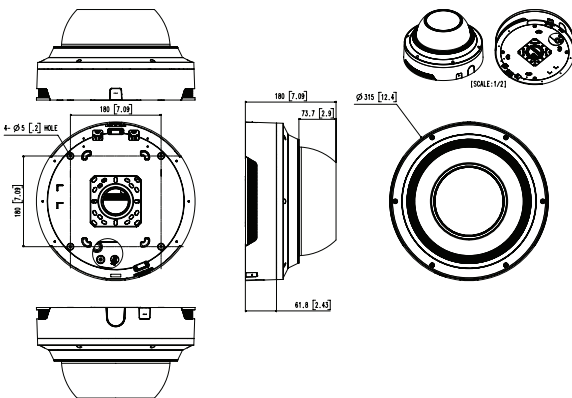
Lumeo Analytics

- 4x Camera Channels (Supports up to 5 Channels)
- **Analytics:** Retail, Transportation, Smart Cities, Logistics, Enterprise Security
- Cloud-based management and remote live views
- Pre-built analytics library
- Custom analytics builder
- Dashboards with 30 day data retention
- **VMS Integrations:** Genetec, Milestone, Wisenet WAVE VMS, Immix, and more.

Camera Features

- Wise AI Analytics events based on AI engine: - Object detection, Virtual line (Crossing / Direction), Virtual area (Loitering / Intrusion / Enter / Exit).
- Wise AI Classified object type : Person / Face / Vehicle / License Plate Attributes : Vehicle (Type: Car / Bus / Truck / Motorcycle / Bicycle, Color), Person (Clothing Color)
- Wise AI based WiseNRII, Auto prefer shutter control, WiseStreamIII
- Supports hallway mode
- Max. 20fps(@8MP Max. 5fps)
- 8MP@20fps (AI Off, H.265/H.264) / 4-channels x 8MP@15fps (AI ON, H.265/H.264)
- Reinforced durability (IP66, IK10, NEMA4X)
- 4.38~9.33mm (2.13x) motorized varifocal lenses
- PTRZ (Pan, Tilt, Rotate, Zoom) control of each lens for easy installation and adjustment
- WiselR 25m (82.02ft) range

CAD Unit: mm [inch]



PNM-C32084RQZ-8XE256G-LU

4CH AI Multi-sensor Camera with Lumeo Analytics



Specifications

VIDEO	
Imaging Device	1/1.8" CMOS x 4CH
Resolution	3840x2160, 1920x1080, 1280x1024, 1280x960, 1280x720, 1024x768, 800x600, 800x448, 720x576, 720x480, 640x480, 640x360
Max. Framerate	[AI On] H.265/H.264: Max. 15fps/15fps (60Hz/50Hz) , MJPEG: Max. 15fps/15fps (@8MP Max. 5fps) [AI Off] H.265/H.264: Max. 20fps/20fps (60Hz/50Hz) , MJPEG: Max. 20fps/20fps (@8MP Max. 5fps)
Min. Illumination	Color: 0.07Lux (F1.3, 1/30sec, 30IRE) BW: 0Lux (IR LED on)
LENS	
Focal Length (Zoom Ratio)	4.38 ~ 9.33mm (2.13x) motorized varifocal
Max. Aperture Ratio	F1.3 (Wide) ~ F2.15 (Tele)
Angular Field of View	H: 113° (Wide) ~ 47° (Tele), V: 58° (Wide) ~ 26° (Tele), D: 128° (Wide) ~ 54° (Tele)
Min. Object Distance	1.3m (4.27ft)
Focus Control	Simple focus
Lens Type	P-Iris
PAN/TILT/ROTATE	
Pan/Tilt/Rotate Range	Remote adjustment (Max. 200 cycles). 0°~360° / 30°~90° / 0°~90°
OPERATIONAL	
Camera Title	Displayed up to 85 characters
Day & Night	Auto (ICR)
Backlight Compensation	BLC, WDR, SDR
Wide Dynamic Range (WDR)	120dB
Digital Noise Reduction	SSNRV, WiseNR II (Based on AI engine)
Defog	Support
Motion Detection	8ea, 8point Polygonal zones
Privacy Masking	6ea, 4 point Quadrangle zones - Color: Grey/Black/White
Gain Control	Low / Middle / High
White Balance	ATW / AWC / Manual / Indoor / Outdoor
LDC	Support
Electronic Shutter Speed	Minimum / Maximum / prefer shutter / Anti flicker (1/5 ~ 1/12,000sec)
Video Rotation	Flip, Mirror, Hallway view (90° / 270°) - Each CH separately
Analytics	Lumeo Analytics: Retail, Transportation, Smart Cities, Logistics, Enterprise Security WiseAI: Classified object type: Person/Face/Vehicle/License plate, Attributes: Vehicle (Type: Car / Bus / Truck / Motorcycle / Bicycle, Color), Person (Clothing color), Support BestShot, Analytics events based on AI engine: Object detection, Virtual line (Crossing / Direction), Virtual Area (Loitering / Intrusion / Enter / Exit) Analytics events: Defocus detection, Motion detection, Tampering, Virtual area (Appear / Disappear) *Audio detection, Sound classification (with NW I/O box SPM-4210)
Alarm I/O	2 configurable I/O ports *Support Alarm via optional SPM-4210 I/O box
Alarm Triggers	Analytics, Network disconnect, Alarm input, App event, Time schedule, MQTT subscription, Tampering
Alarm Events	When alarm trigger occurred: - File upload (image): e-mail / FTP, - Notification: e-mail, - Recording: SD/SDHC/SDXC or NAS recording at event triggers, - Alarm output, - Handover: PTZ preset, send message by HTTP / HTTPS / TCP, - MQTT: publication
Audio In	*Support Audio via optional SPM-4210 I/O box
Audio Out	*Support Audio via optional SPM-4210 I/O box
Light Viewable Length	WiseIR 25m (82.02ft)

NETWORK

Ethernet	Metal Shielded RJ-45 (10 / 100 / 1000 BASE-T)
Video Compression	H.265 / H.264: Main / Baseline / High, MJPEG
Smart Codec	Manual (Sea area), WiseStreamII
Video Quality Adjustment	H.264 / H.265: Target bitrate level control, MJPEG: Target bitrate level control
Bitrate Control	H.264 / H.265: CBR or VBR, MJPEG: VBR
Streaming	Unicast (10 users) / Multicast, Multiple streaming (Up to 3 profiles per CH)
Protocol	IPv4, IPv6, TCP/IP, UDP/IP, RTP(UDP), RTP(TCP), RTCP, RTSP, NTP, HTTP, HTTPS, SSL/TLS, DHCP, FTP, SMTP, ICMP, IGMP, SNMPv1/v2c/v3(MIB-2), ARP, DNS, DDNS, QoS, UPnP, Bonjour, LLDP, CDP, SRTP(TCP, UDP Unicast), MQTT
Application Programming Interface	ONVIF Profile S/T/M, SUNAPI (HTTP API), Hanwha Vision open platform

SECURITY

OS / Firmware Protect	Encrypted Firmware, Secure boot, Signed Firmware
User Authentication	Digest Authentication
Network Authentication	IEEE 802.1X (EAP - TLS, EAP - LEAP, EAP - PEAP, MSCHAPv2)
Secure Communication	HTTPS, WSS (WebSocket Secure)
Access Control	IP-based access control
Data Protect	Encryption Credentials, Encrypt compress for live recording file
Audit	Access / System / Event Log management
Device ID	Device certificate(Hanwha Vision Root CA)
Secure Storage	TPM, SDCard partition encrypt
Security Certificate	TPM with FIPS 140-2 level 2

GENERAL

Webpage Language	English, Korean, Chinese, French, Italian, Spanish, German, Japanese, Russian, Portuguese, Czech, Polish, Turkish, Dutch, Greek, Hungarian
Edge Storage	Micro SD/SDHC/SDXC 2slot Max. 1TB(2 x 512GBx2)
Memory	8GB RAM, 64GB eMMC
NVIDIA Carrier Board	NVIDIA Jetson Orin NX 8GB 256G SSD Included 4x Lumeo AI Platform Enterprise License

ENVIRONMENTAL & ELECTRICAL

Operating Temperature / Humidity	-40°C~+55°C(-40°F~+131°F) / 0~100% RH(condensing) * Start up should be done at above -20°C, Humidity control /w AIR vent
Storage Temperature / Humidity	-50°C~+60°C(-58°F~+140°F) / 0~90% RH
Certification	IP66, NEMA4X, IK10
Input Voltage	HPoE(IEEE802.3bt type4, Class8)
Power Consumption	HPoE: Max 66.0W, Typical 40.0W(Orin NX 8GB) Max. 71.0W, Typical 40.00W(Orin NX 16GB)

MECHANICAL

Color / Material	White / Aluminum + PC Bubble: Hard-coated dome
RAL Code	RAL9003
Product Dimensions / Weight	ø315x180mm(ø12.40x7.09") / 6100g(13.45 lb)
Compatible Conduit hole / Gangbox	19.1mm (3/4") (M25), Single, double, 4" octagon, 4" square

CERTIFICATION & STANDARDS

EMC	FCC 47 CFR 15 Subpart B Class A, ICES-3 (A) / NMB-3 (A), CE/UKCA - EN 55032 Class A, EN 50130-4, EN 61000-3-2, EN 61000-3-3, VCCI CISPR 32 Class A, RCM AS/NZS CISPR 32 Class A, KS C 9832 Class A, KS C 9835
Safety	UL 62368-1, CAN/CSA C22.2 NO. 62368-1, IEC/EN 62471
Environment	IEC/EN 63000, IEC/EN 60529 IP66, IEC/EN 62262 IK10, NEMA 250 type 4X

COMPATIBLE MODELS

Hanging Adaptor	SBP-315HMMW, SBP-317HMMWP
Ceiling Mount (Assy)	SBP-150CMI/300CMI, SBP-300CMW1/900CMW, SBP-300CMTW, SBP-300CMTS
Ceiling Mount (Single Unit)	SBP-180CMB/140CMB, SBP-180CMS, SBP-900CMP/300CMP/150CMP, SBP-C15P, SBP-C15H
Wall Mount	SBP-400WMW/250WMW, SBP-300WMW
Wall Mount Adaptor	SBP-300BW1, SBP-115PFA
Pole Mount	SBP-300PMW2
Corner Mount	SBP-300KMW1, SBP-156KMW
Parapet Mount	SBP-300LMW, SBP-156LMW1
Cabinet	SBP-300NBW, SBP-150NBW
Interface Box	SPM-4210
Other Compatible Models	SBP-315C, SPO-8315

DORI (EN62676-4 STANDARD)

Detect (25PPM / 8PPF)	Wide: 50.8m(166.77ft) / Tele: 176.6m(579.49ft)
Observe (63PPM / 19PPF)	Wide: 20.3m(66.71ft) / Tele: 70.7m(231.80ft)
Recognize (125PPM / 38PPF)	Wide: 10.2m(33.35ft) / Tele: 35.3m(115.90ft)
Identify (250PPM / 76PPF)	Wide: 5.1m(16.68ft) / Tele: 17.7m(57.95ft)

VER

Ver	20241018
-----	----------