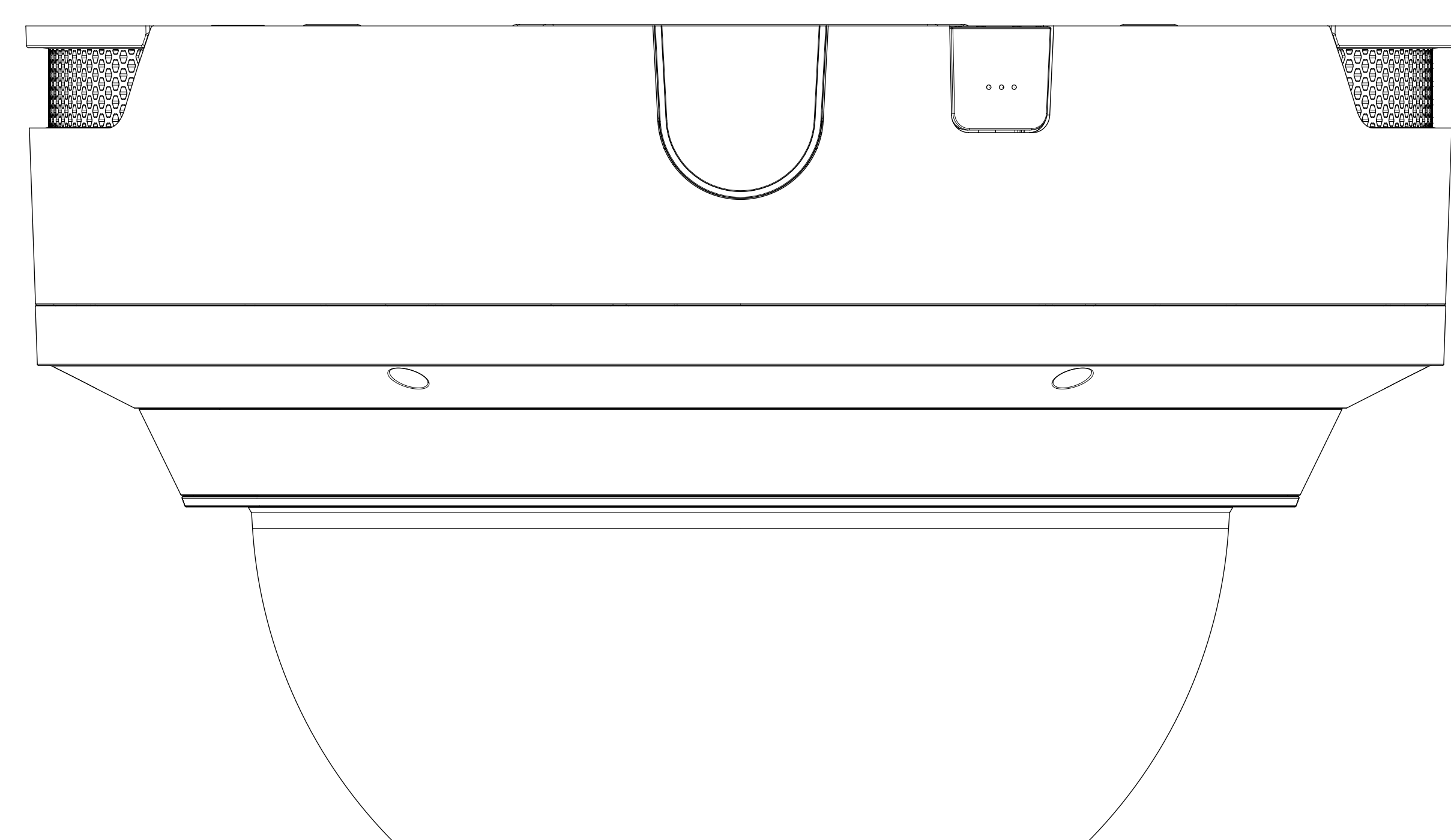
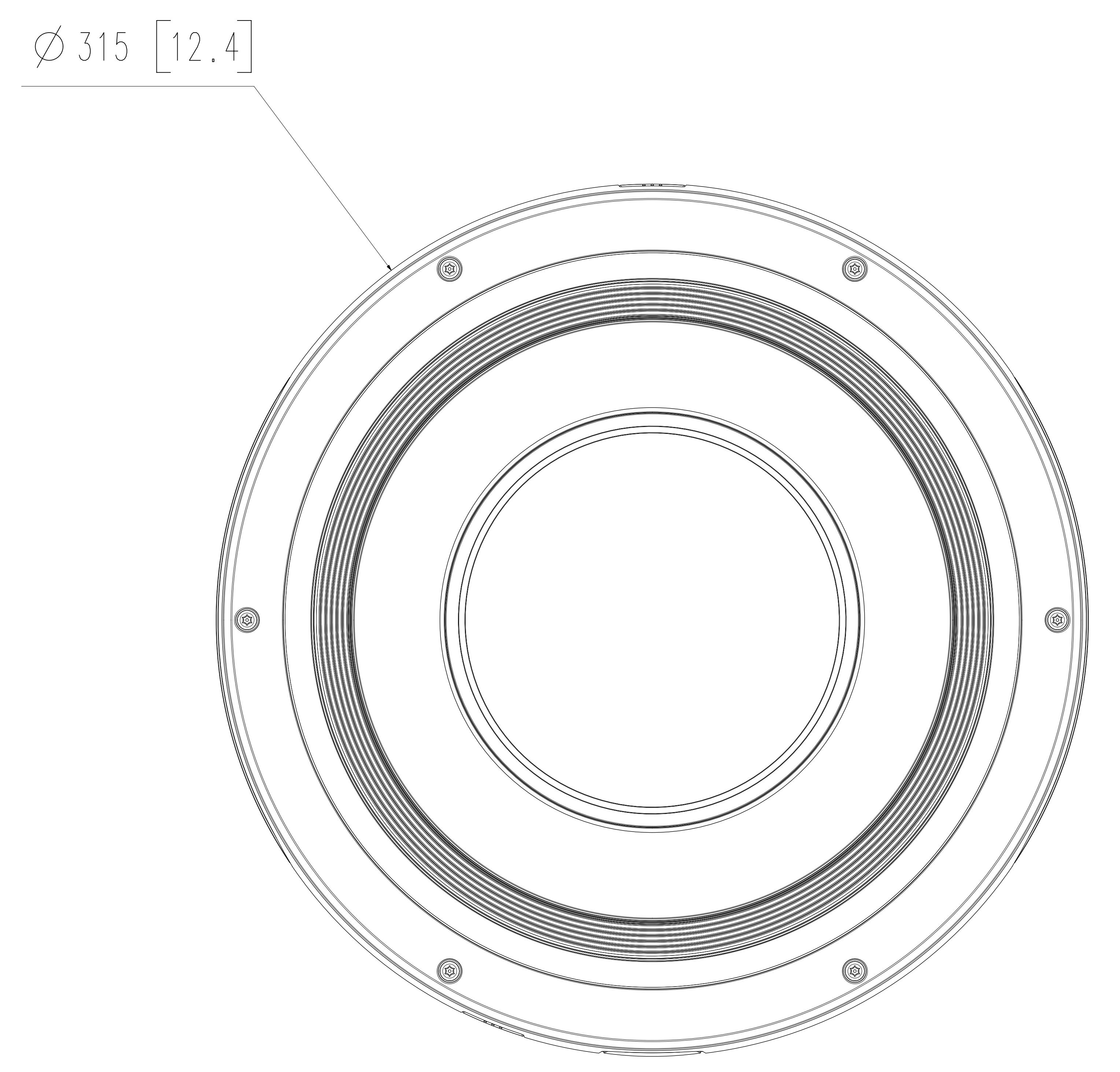
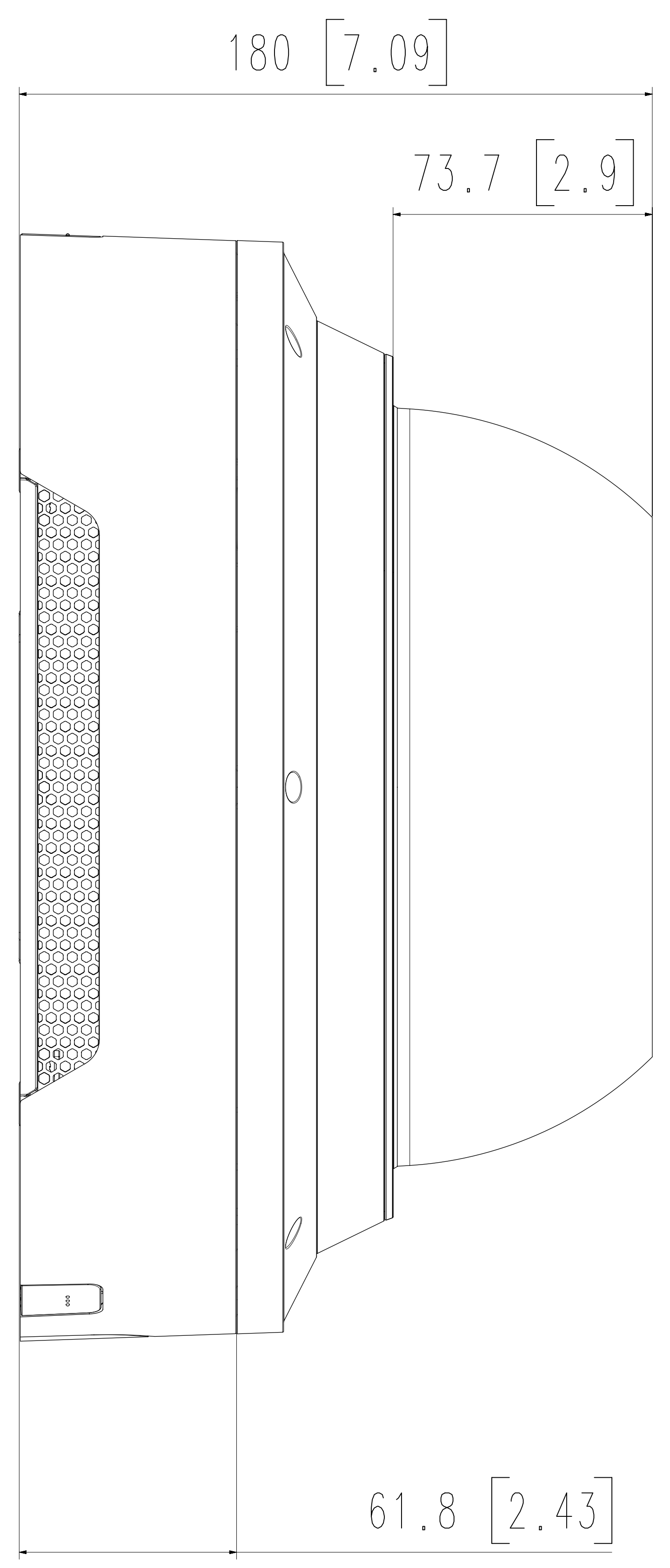
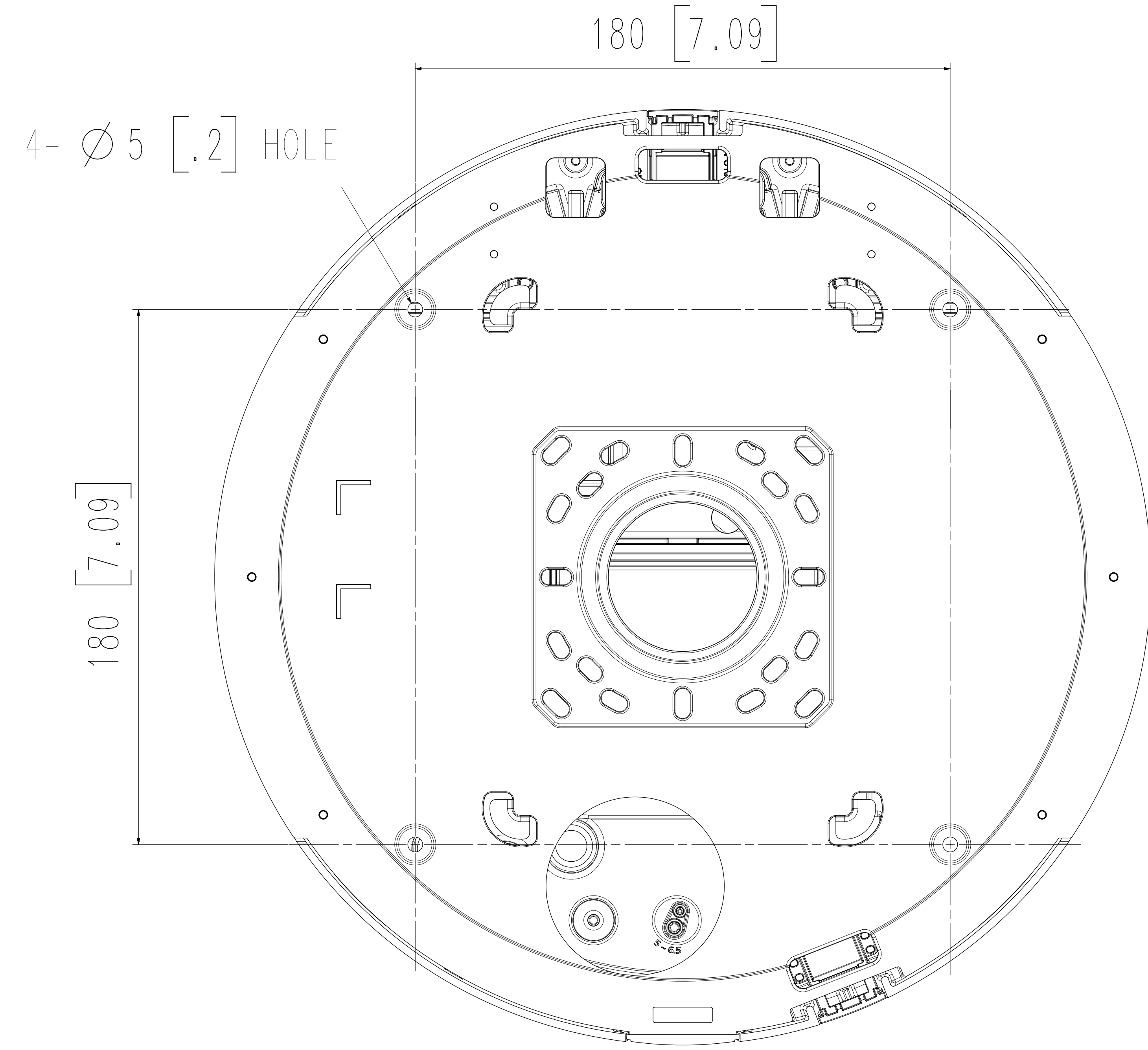


[SCALE: 1/2]



3	MODEL 2	
2	MODEL 1	
1	PNM-C32084RQZ	'24.04.24
No.	MODEL NAME	DATE
Unit:mm[inch]	SCALE:1/1	© Hanwha Vision