



CÁMARA DE RED

Manual de consulta rápida

QNV-C8013R/QNV-C8023R
QND-C8013R/QND-C8023R
QNO-C8013R/QNO-C8023R



Important

Please check 'Manuals' from our website, before connecting to the Supply,
<https://www.hanwhavision.com/en/download-data/>

Warranty

Please check "Product warranty information" from our website.
<https://www.hanwhavision.com/en/support/warranty/>

We recommend to use the officially compatible VMS version or latest Hanwha NVR version when integrating with VMS or Hanwha NVR.



Hanwha Vision cares for the environment at all product manufacturing stages, and is taking measures to provide customers with more environmentally friendly products.

The Eco mark represents Hanwha Vision's devotion to creating environmentally friendly products, and indicates that the product satisfies the EU RoHS Directive.



Correct Disposal of This Product (Waste Electrical & Electronic Equipment)

(Applicable in the European Union and other European countries with separate collection systems)

This marking on the product, accessories or literature indicates that the product and its electronic accessories (e.g. charger, headset, USB cable) should not be disposed of with other household waste at the end of their working life. To prevent possible harm to the environment or human health from uncontrolled waste disposal, please separate these items from other types of waste and recycle them responsibly to promote the sustainable reuse of material resources.

Household users should contact either the retailer where they purchased this product, or their local government office, for details of where and how they can take these items for environmentally safe recycling.

Business users should contact their supplier and check the terms and conditions of the purchase contract.

This product and its electronic accessories should not be mixed with other commercial wastes for disposal.



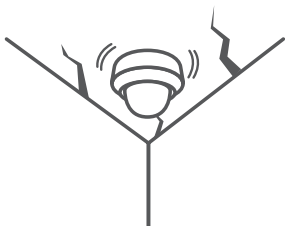
Correct disposal of batteries in this product

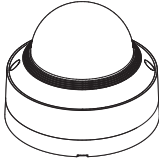



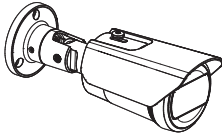

(Applicable in the European Union and other European countries with separate battery return systems.)

This marking on the battery, manual or packaging indicates that the batteries in this product should not be disposed of with other household waste at the end of their working life. Where marked, the chemical symbols Hg, Cd or Pb indicate that the battery contains mercury, cadmium or lead above the reference levels in EC Directive 2006/66. If batteries are not properly disposed of, these substances can cause harm to human health or the environment.

To protect natural resources and to promote material reuse, please separate batteries from other types of waste and recycle them through your local, free battery return system.

SAFETY INFORMATION

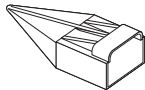
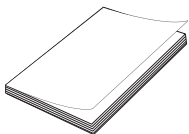
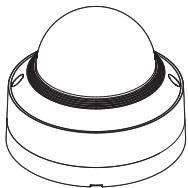


<p>Cámara abovedada antivandalismo</p> <p>QNV-C8013R/QNV-C8023R</p>  	<p>Cámara abovedada</p> <p>QND-C8013R/QND-C8023R</p>  	<p>Cámara tipo bala</p> <p>QNO-C8013R/QNO-C8023R</p>  
---	--	--

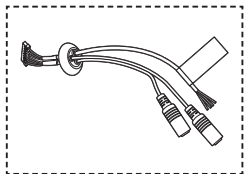
COMPONENT

Debido a los diferentes países de venta, los accesorios no son los mismos.

- QNV-C8013R/QNV-C8023R



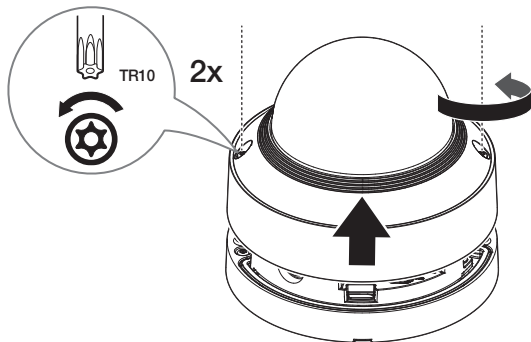
i Opciones (No se incluye)



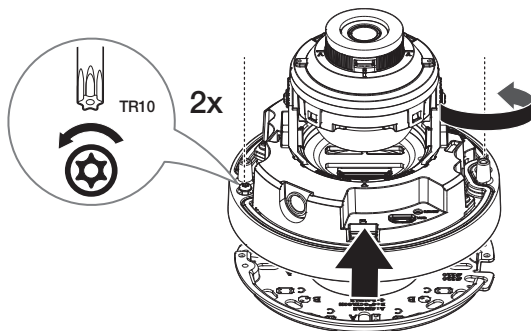
SPP-C7400

INSTALLATION

1



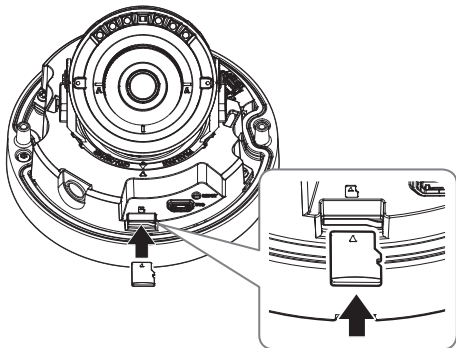
2



INSTALLATION

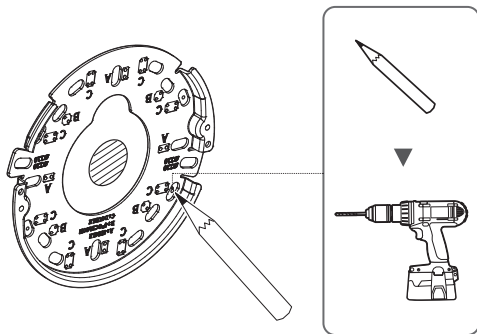
3

- No se incluye: Tarjeta Micro SD



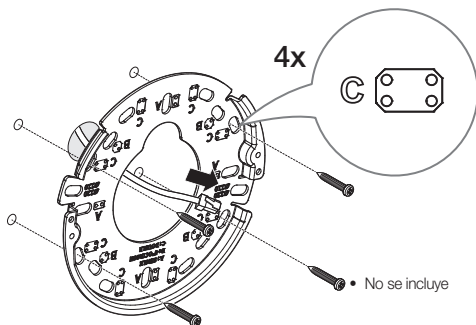
4

- Instalación directa en muro/techo



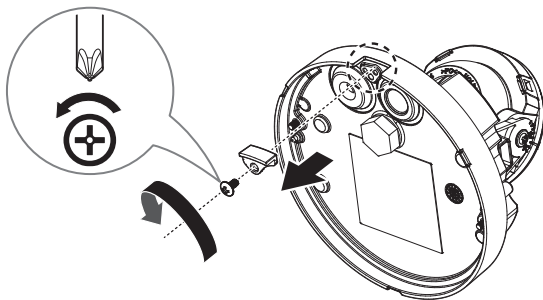
INSTALLATION

5



6

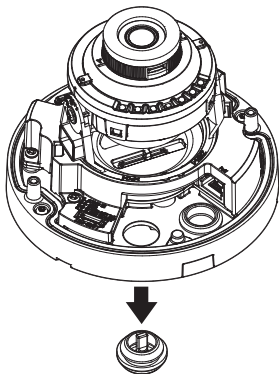
- Cuando se conecta el cable por el costado



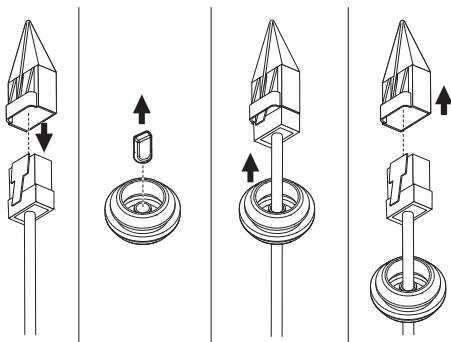
INSTALLATION

7-1

- Instalación del cable de red (IP66)

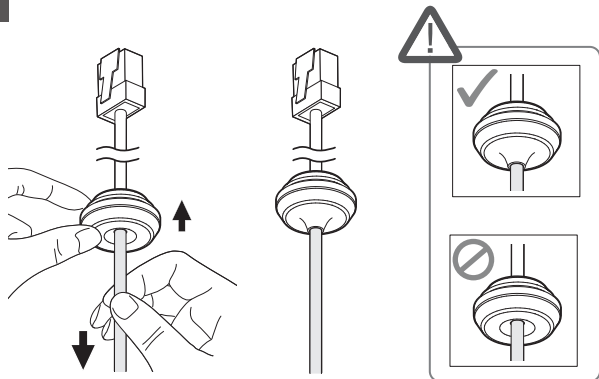


7-2

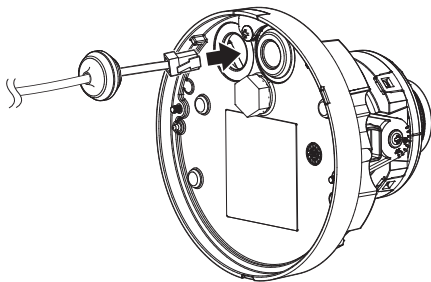


INSTALLATION

7-3

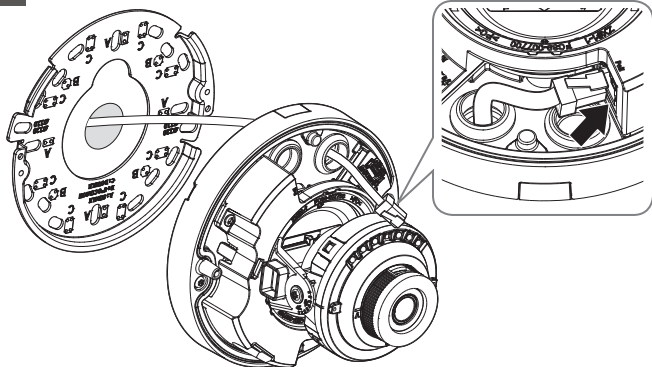


7-4



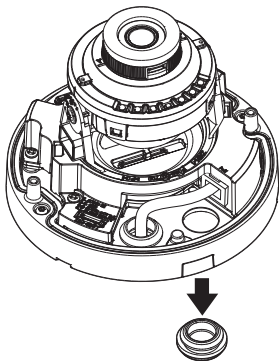
INSTALLATION

7-5



8-1

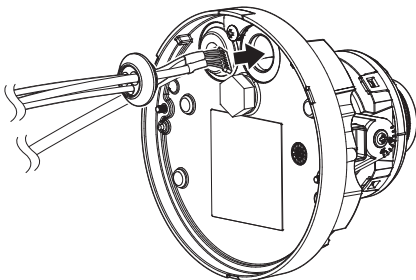
- Instalación de cables de audio/alarma



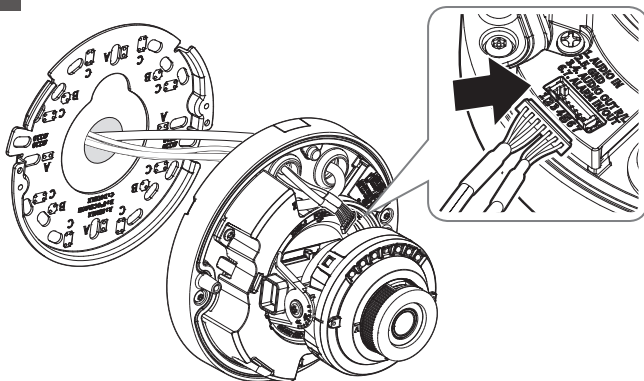
INSTALLATION

8-2

- No se incluye

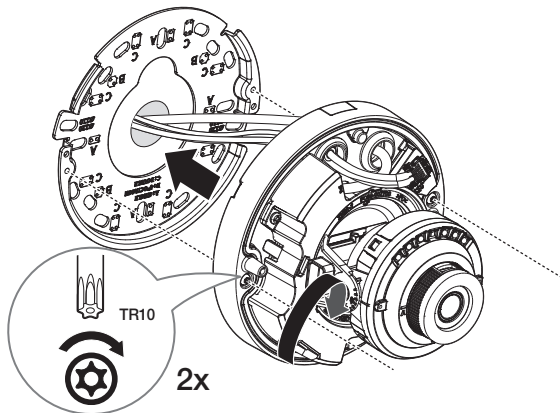


8-3



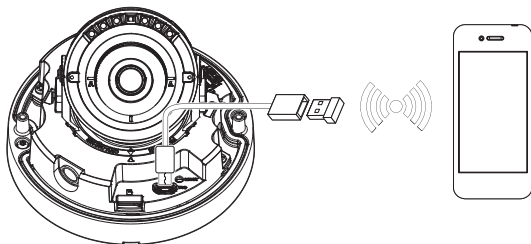
INSTALLATION

9



10

- No se incluye: Dongle WiFi, adaptador OTG

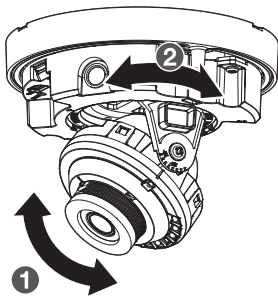
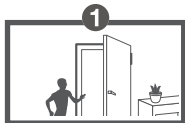




INSTALLATION



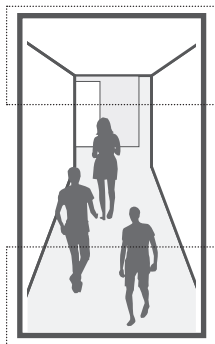
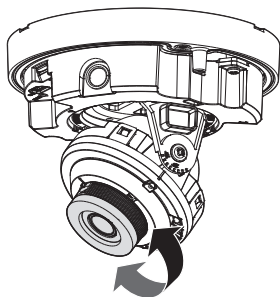
12



15

INSTALLATION

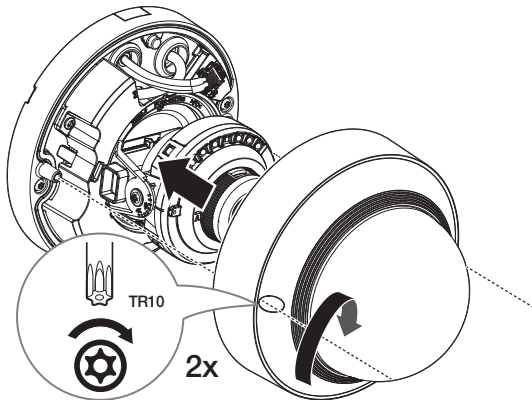
13



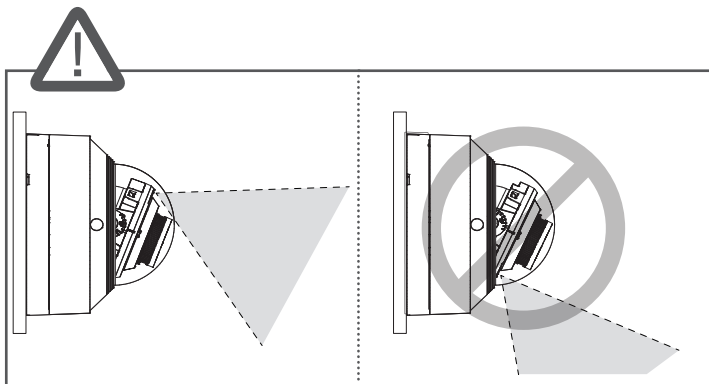
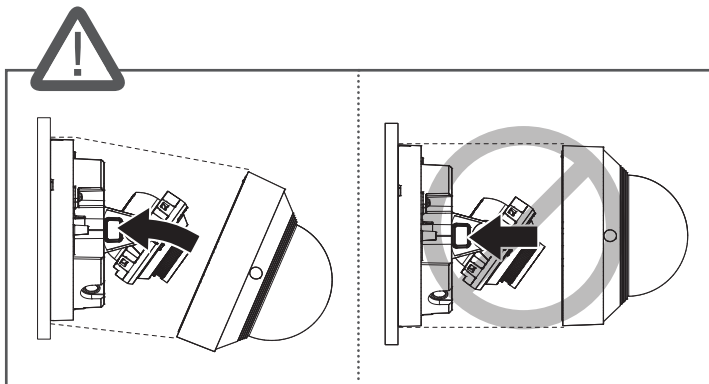
16

INSTALLATION

14

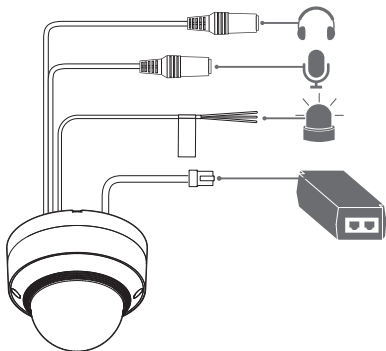


INSTALLATION

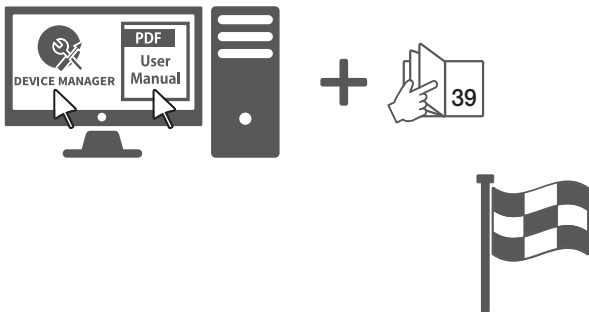


INSTALLATION

15



16

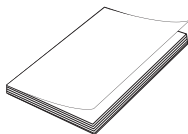
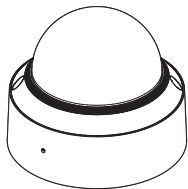


19

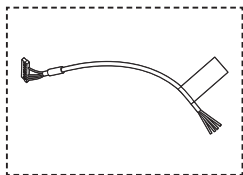
COMPONENT

Debido a los diferentes países de venta, los accesorios no son los mismos.

- QND-C8013R/QND-C8023R



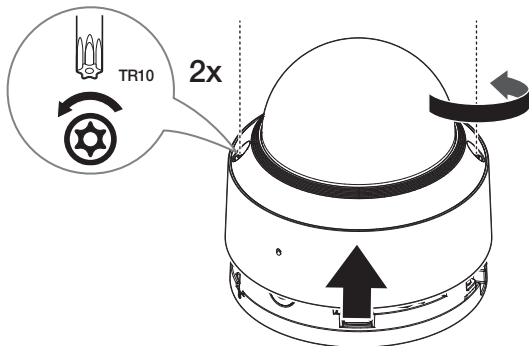
I Opciones (No se incluye)



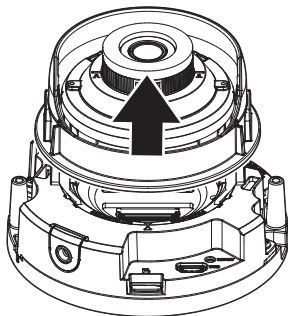
SPP-C7200

INSTALLATION

1



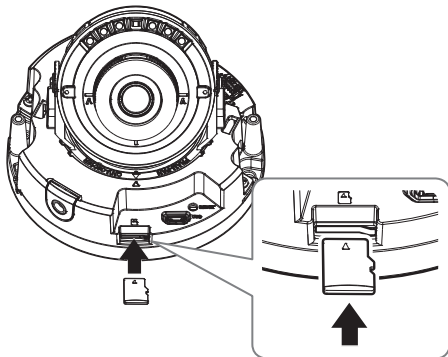
2



INSTALLATION

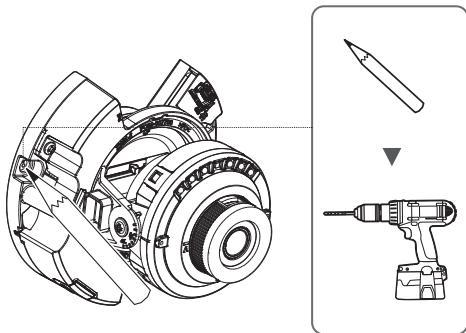
3

- No se incluye: Tarjeta Micro SD



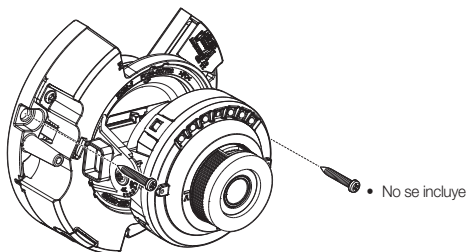
4

- Instalación directa en muro/techo



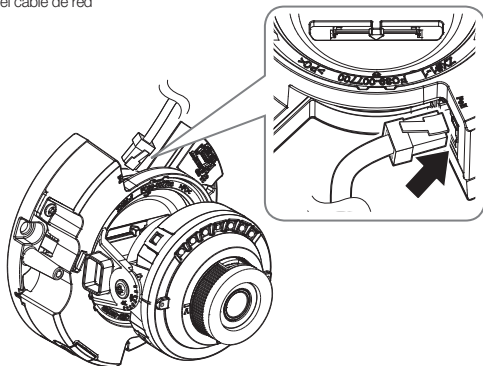
INSTALLATION

5



6

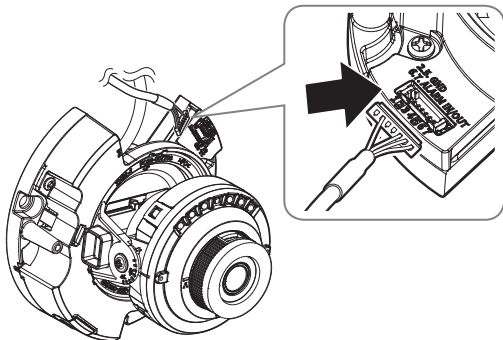
• Instalación del cable de red



INSTALLATION

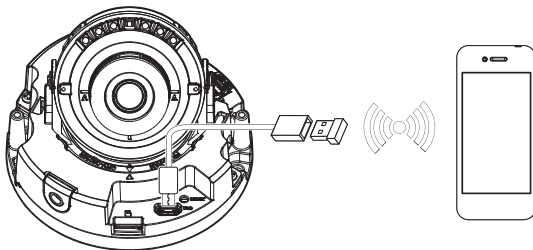
7

- Instalación del cable de alarma



8

- No se incluye: Dongle WiFi, adaptador OTG

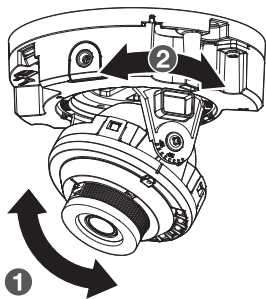




INSTALLATION

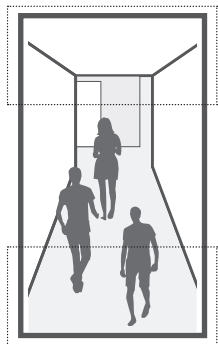
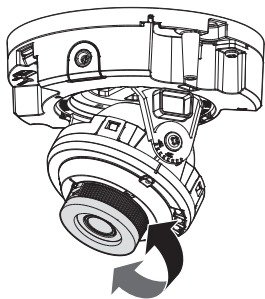


10



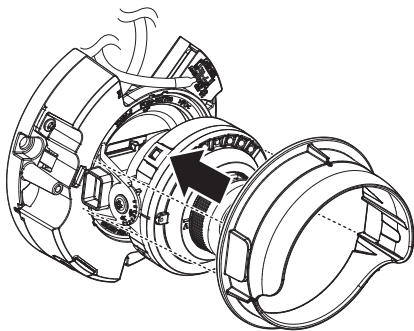
INSTALLATION

11

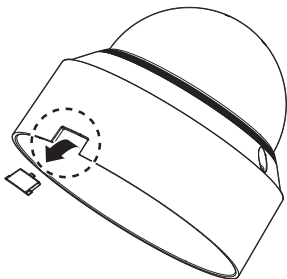


INSTALLATION

12

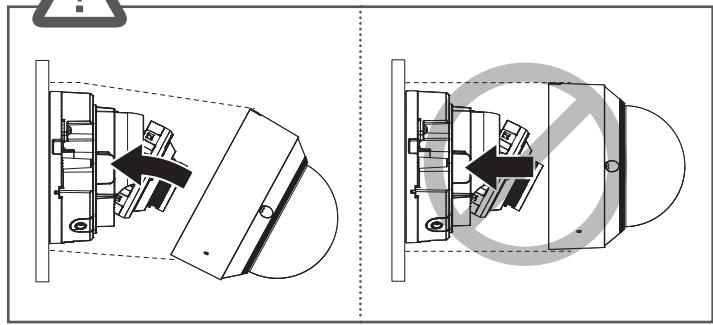
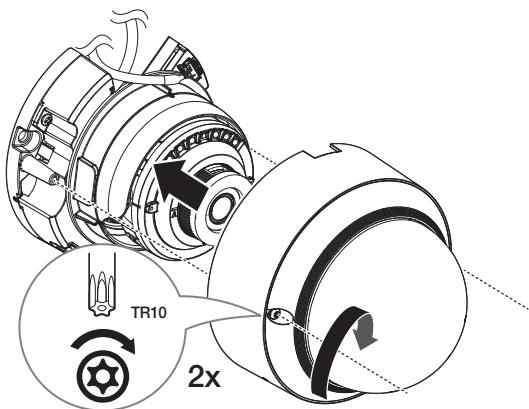


13

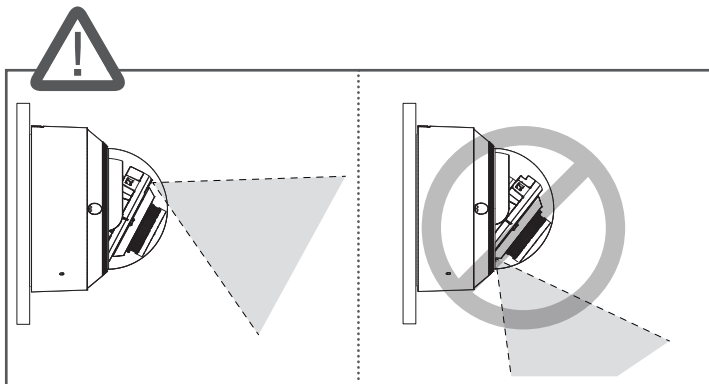


INSTALLATION

14

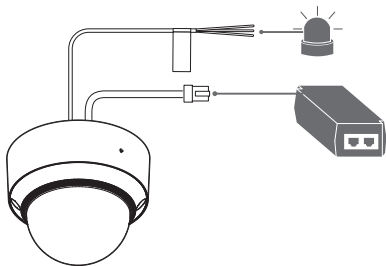


INSTALLATION

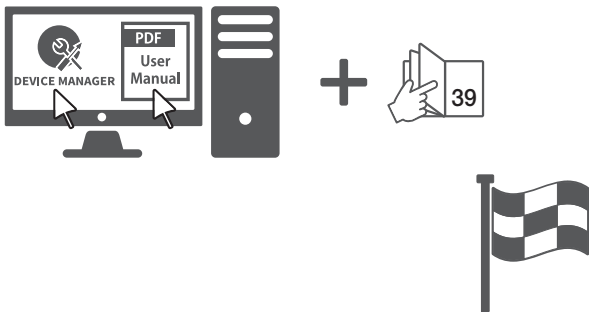


INSTALLATION

15



16

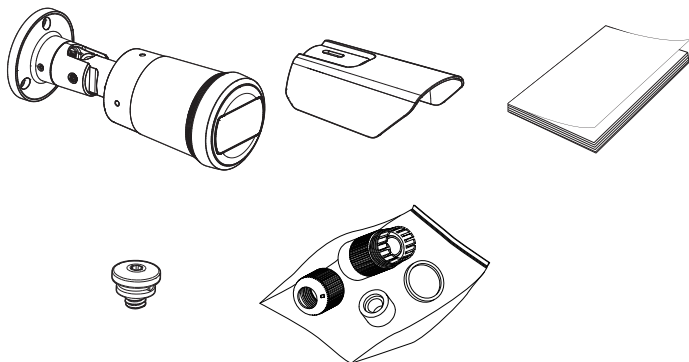


31

COMPONENT

Debido a los diferentes países de venta, los accesorios no son los mismos.

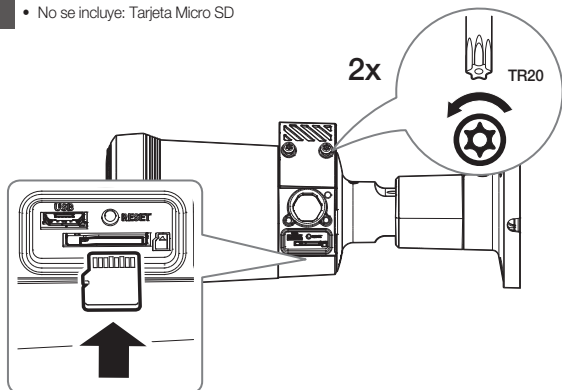
- QNO-C8013R/QNO-C8023R



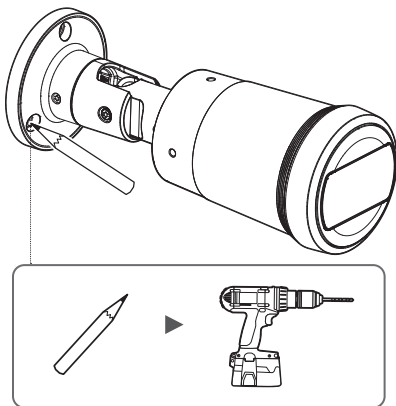
INSTALLATION

1

- No se incluye: Tarjeta Micro SD



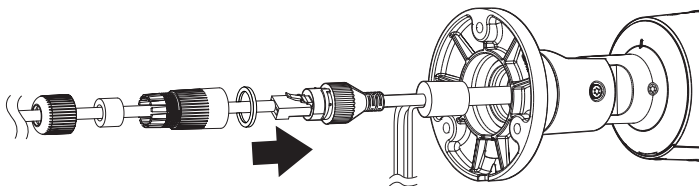
2



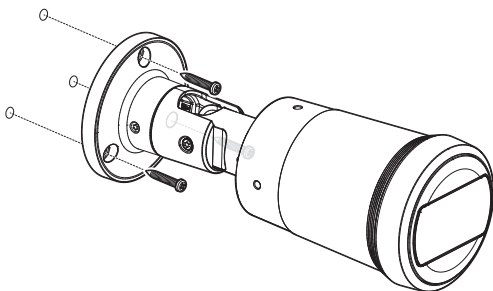
INSTALLATION

3

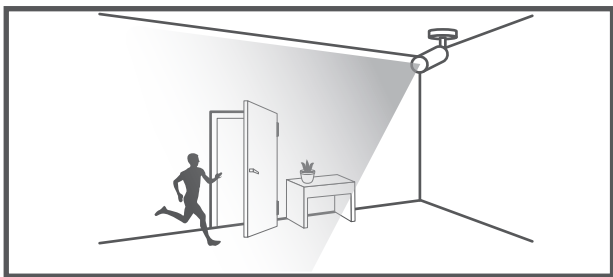
- Instalación del cable de red (IP66)



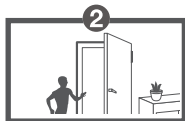
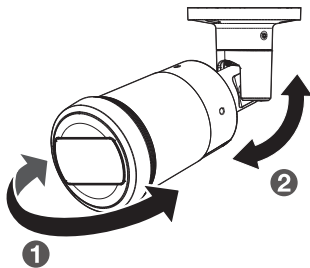
4



INSTALLATION

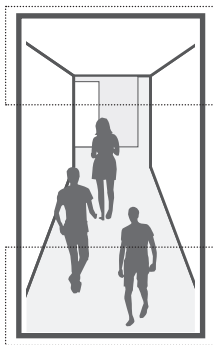
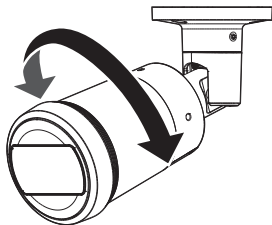


5



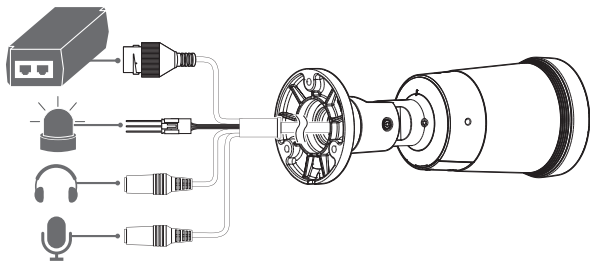
INSTALLATION

6

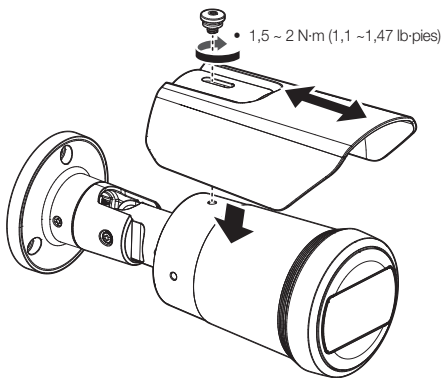


INSTALLATION

7

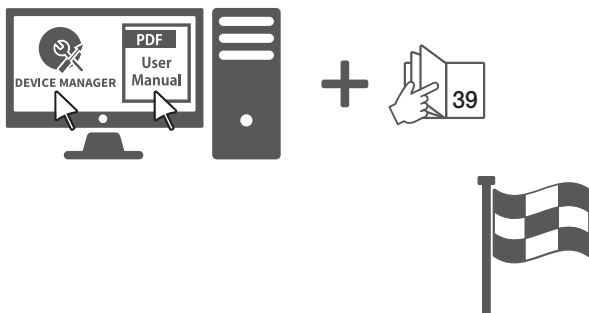


8



INSTALLATION

9



CONFIGURACIÓN DE CONTRASEÑA

Al acceder al producto por primera vez, debe registrar la contraseña de inicio de sesión.

Administrator password change

New password

Confirm new password

- If the password is 8 to 9 characters long, it must include at least 2 of the following character types: English uppercase letters, English lowercase letters, numbers, and special characters (support up to 64 characters)
- If the password is 10 characters or longer, it must include at least 2 of the following character types: English uppercase letters, English lowercase letters, numbers, and special characters
- ID may not be used as password. The password and ID cannot be identical.
- The following special characters can be used: ~!@#\$%^&*()_-=+{}[]\|;":'<>.,?/
- You may not use more than 3 consecutive characters. (example: 1234, abcde, etc.)
- You may not use the same character 4 or more times consecutively. (example: RR, 1111, aaak, etc.)

Apply



- Para generar una nueva contraseña con 8 a 9 caracteres, debe utilizar, al menos, 3 de los siguientes caracteres: letras mayúsculas/minúsculas, números y caracteres especiales. Para generar una contraseña con 10 caracteres o más, debe utilizar, al menos, 2 tipos de los caracteres mencionados. (admite hasta 64 caracteres)
 - Caracteres especiales que se permiten. :
~!@#\$%^&*()_-=+{}[]\|;":'<>.,?/
- No se permiten espacios en la contraseña.
- Para mayor seguridad, no se recomienda repetir los mismos caracteres ni entradas consecutivas de teclado en las contraseñas.
- Si ha perdido su contraseña, puede pulsar el botón [RESET] para iniciar el producto. Así pues, no pierda la contraseña utilizando un bloc de notas o memorícela.

INICIO DE SESIÓN

Siempre que acceda a la cámara, aparecerá la ventana de inicio de sesión. Introduzca el ID de usuario y la contraseña para acceder a la cámara.

- 1 Introduzca "admin" en el cuadro de entrada <User Name>.
- 2 Introduzca la contraseña en el campo de entrada <Password>.
- 3 Haga clic en [Sign in].

CONEXIÓN A WIFI

Ajuste de la cámara

- 1 Conecte el adaptador OTG (5 pines) y el dongle WiFi al terminal micro USB.

Configuración del teléfono inteligente

- 1 Instale la aplicación de instalación de Wisenet.
- 2 Seleccione el SSID de la cámara después de encender el WiFi.
- 3 Ejecute la aplicación de instalación de Wisenet.
- 4 Cuando inicie sesión en la cámara, se conectará el vídeo.
 - El vídeo se reproducirá sin estar conectado durante la conexión inicial.
- 5 Puede ajustar el ángulo de visión mientras ve el vídeo a través del smartphone.

HEVC Advance™

Covered by patents at patentlist.accessadvance.com



microSD, microSDHC, and microSDXC Logos are trademarks of SD-3C LLC. microSD, microSDHC, microSDXC are trademarks or registered trademarks of SD-3C, LLC in the United States, other countries or both.

EAC

Подлежит использованию по назначению
в нормальных условиях
Срок службы : 7 лет.

Türkiye Distribütörü

EDS Elektronik Destek Sanayi ve Ticaret Ltd. Şti.

Meclis Mah. Teraziler Cad. Hayran Sk. (Eskisi Kılıç Sk.) No: 4 Sancaktepe / İstanbul / Türkiye
Tel +90.216.313.25.15

ENTES ELEKTRONİK CİHAZLAR İMALAT VE TİC. A.Ş.

Dudullu Org.San.Bölg. 1. Cad. No:23 34776 Ümraniye / İstanbul / Türkiye
Tel +90.216.313.01.10

TEKNOMAKS TEKNOLOJİ / TEKNOMAKS BİLİSİM

MERDİVENKÖY MAH.DİKYOL SOK. BUSINESS İSTANBUL No:2, Kat:7, D:B67, 34732 Kadıköy / İstanbul / Türkiye
Tel +90.212.217.54.22

Cihazın Ticaret Bakanlığına önerilen ortalama ömrü

Cihazın EEE yönetmeliklerine uygun olduğuna benzer beyan

