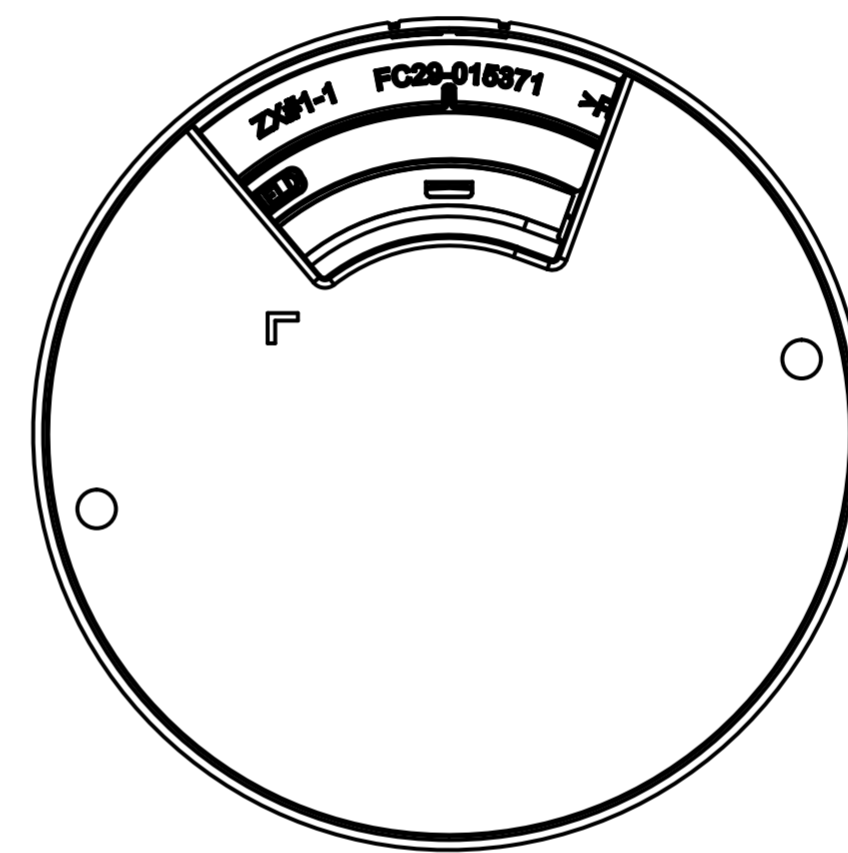
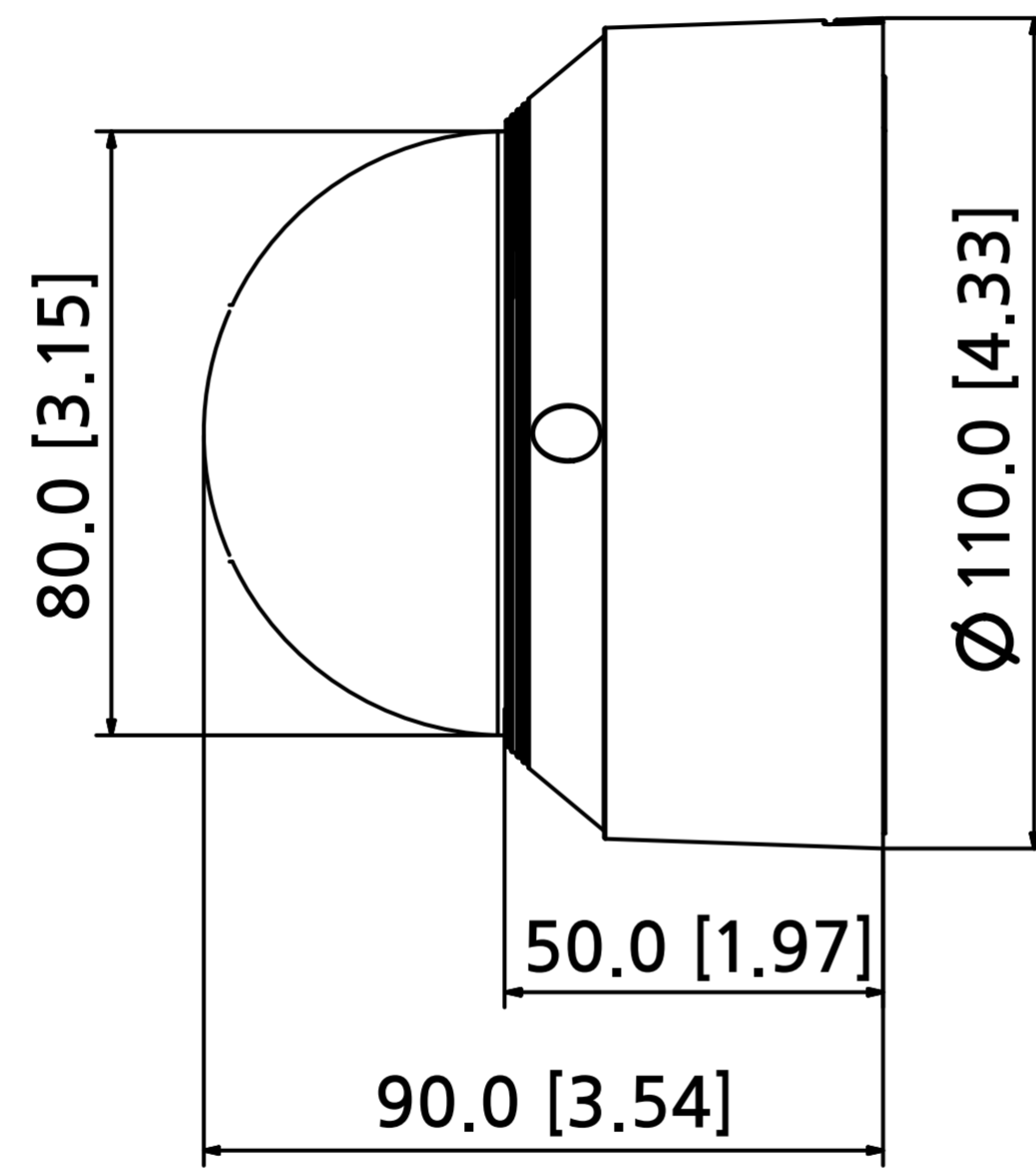
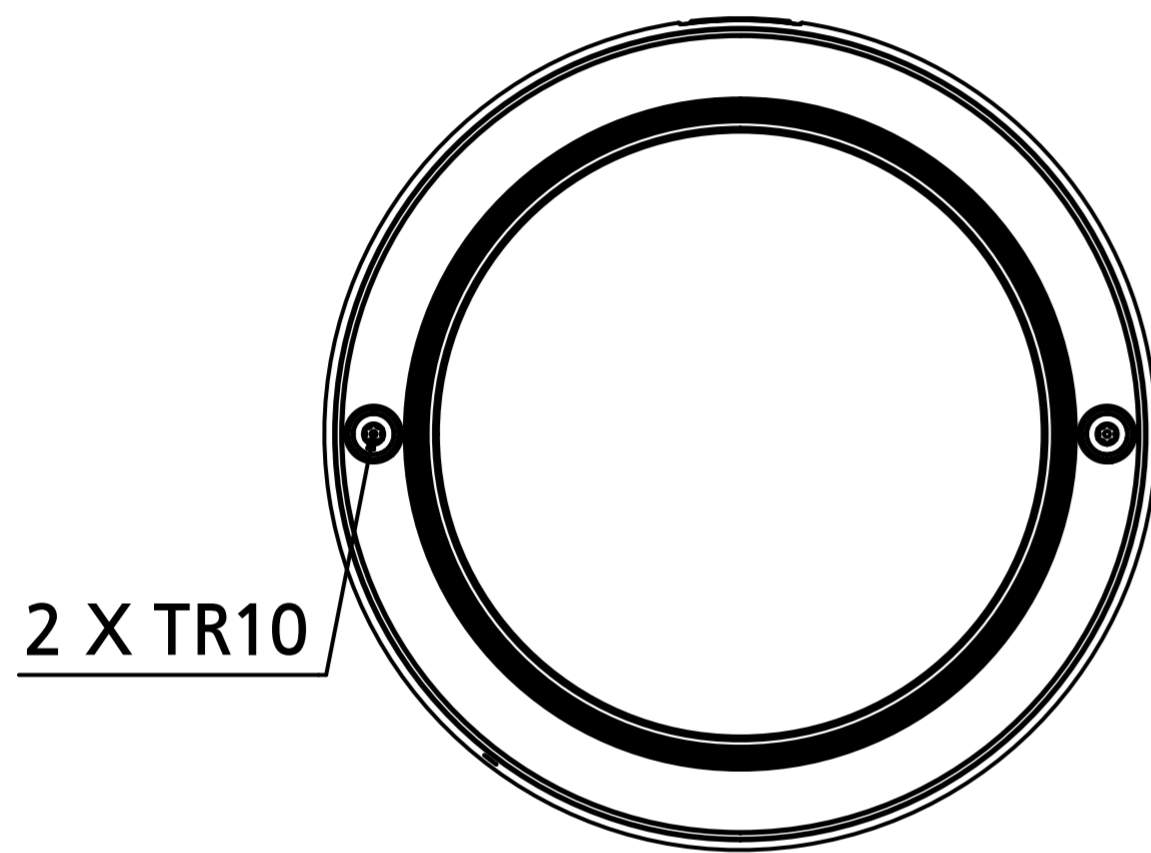
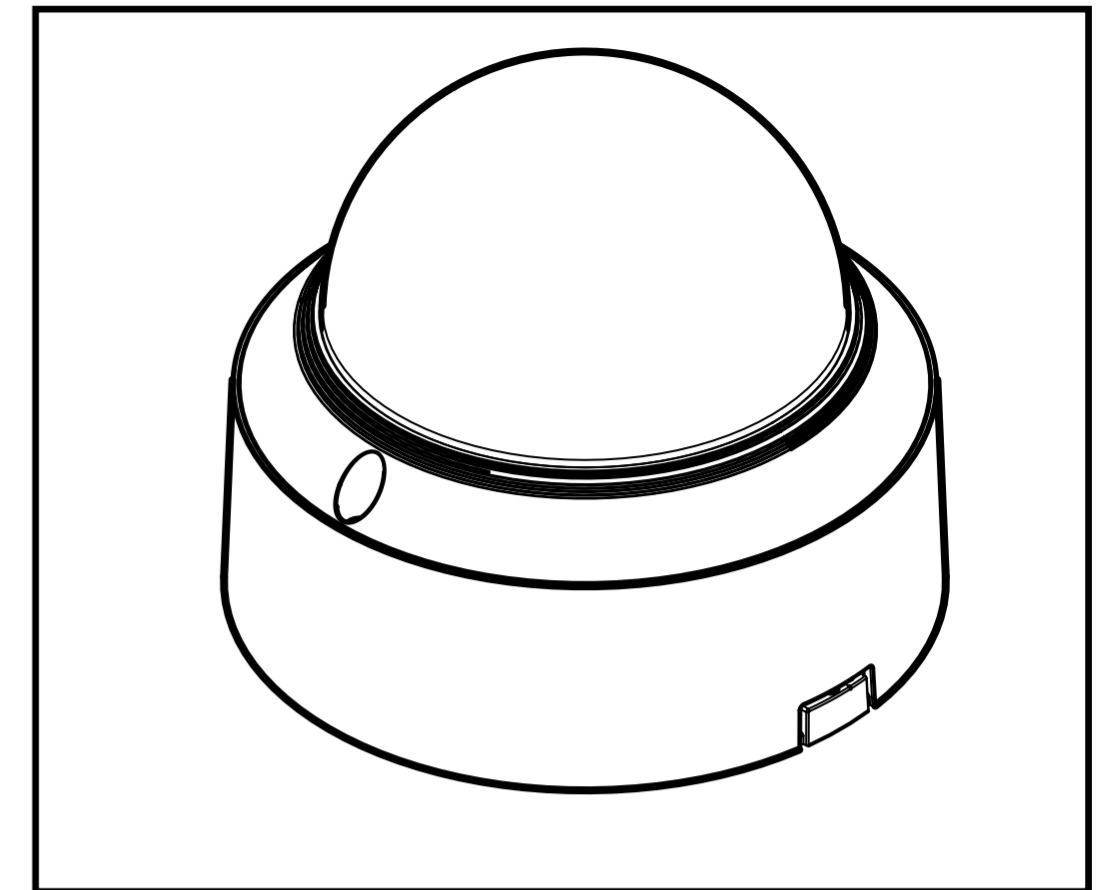
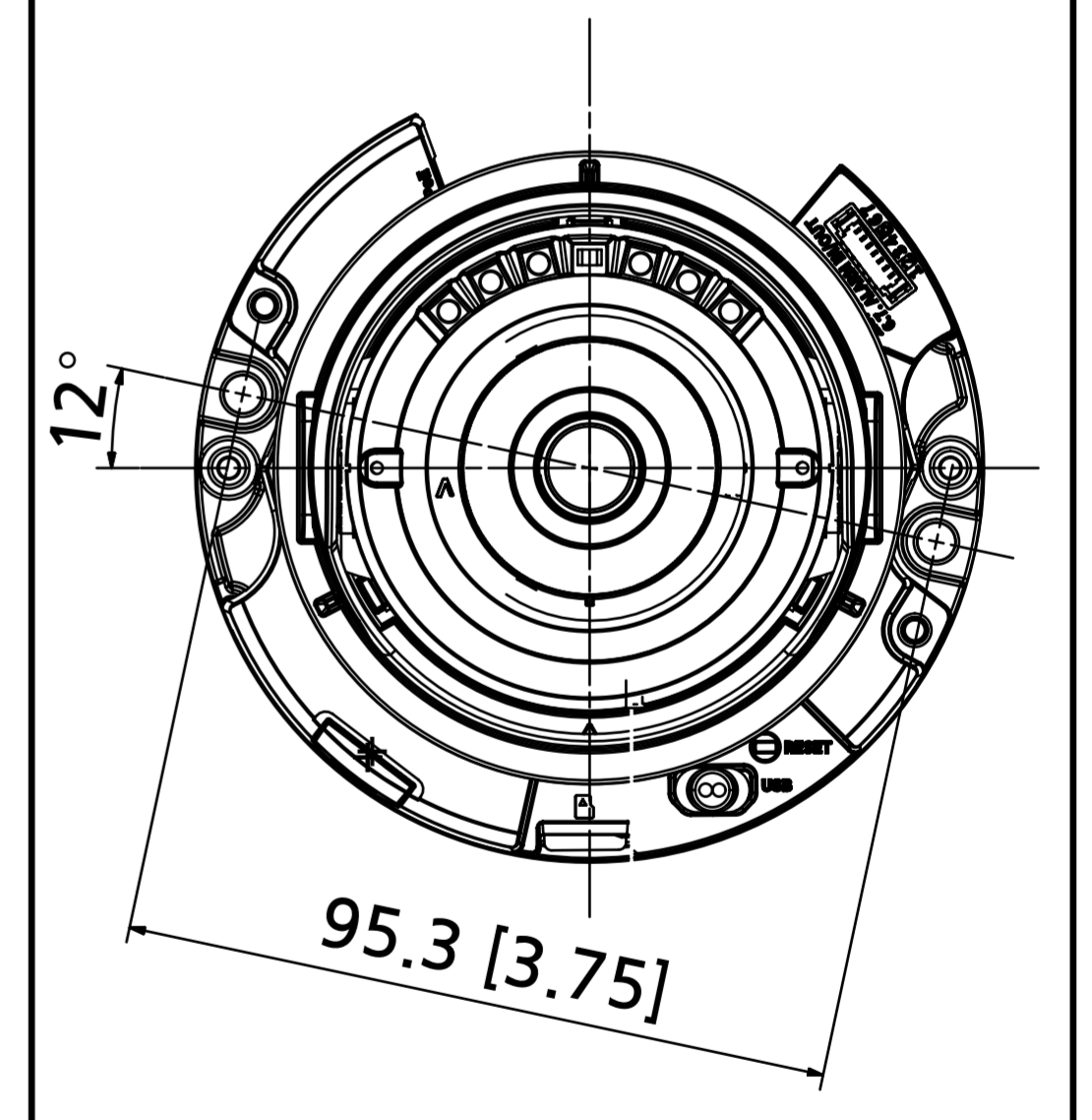


QND-C8013R/C8023R INDOOR DOME CAMERA

Reference image



* INSTALL HOLE
: DIAGONAL DOUBLE



Revision	V1.0
Revision Date	24/12/20
Paper Size	A2
Unit	mm [inch]
Scale	1:1