

SHP-1560FPW

In-ceiling Housing



FC | UL LISTED | CE | ENEC

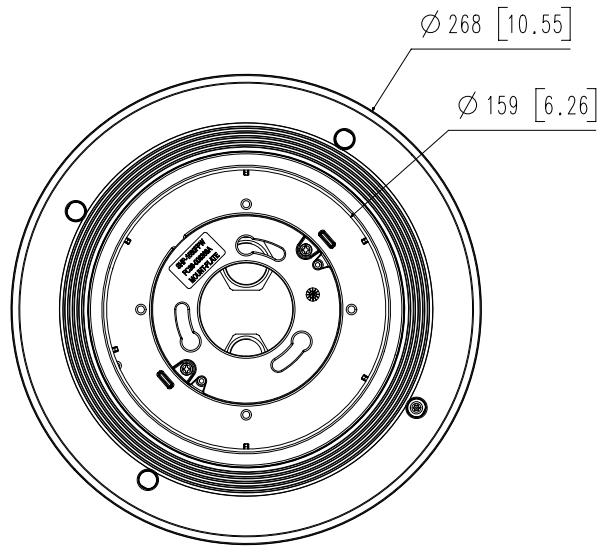
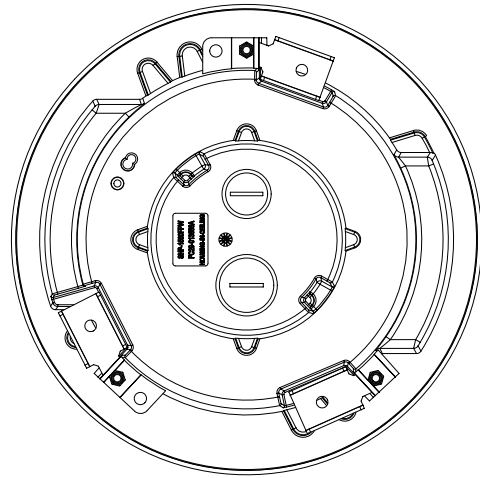
Key Features

- Enclosure : Plenum Rated Aluminum / Top cover : Polycarbonate (PC)
- Dimensions : Ø268 x H209mm (10.55" x 8.23")
- Weight : 1,300g (2.87 lb)
- Color : White

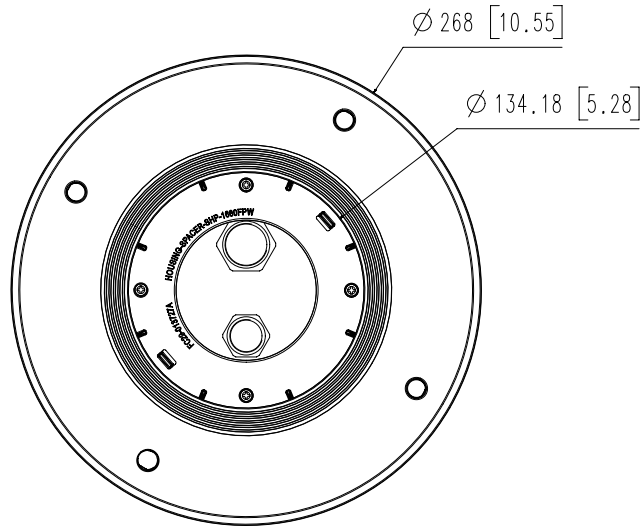
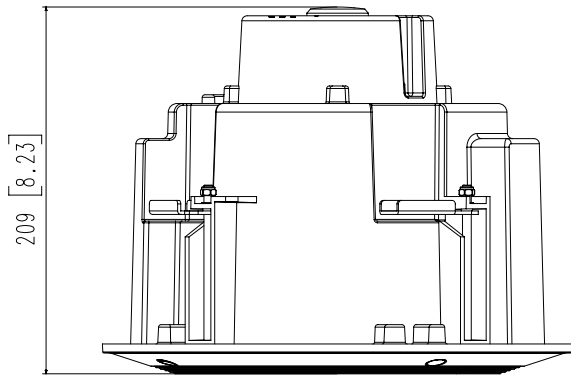
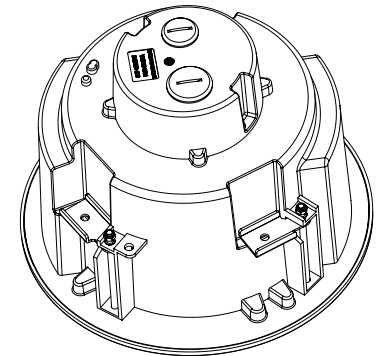
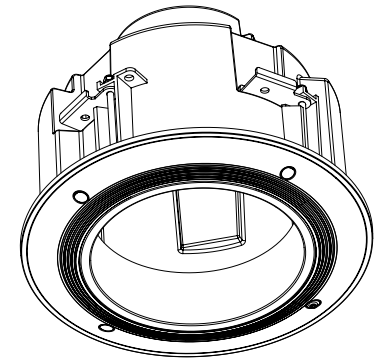
Mechanical

Color	White
Material	Enclosure : Plenum Rated Aluminum Top cover : Polycarbonate(PC)
RAL code	RAL9003
Product dimensions / weight	Ø268x209mm (Ø10.55x8.23") / 1.3kg(2.87 lb)
Tile thickness	3~70mm
Conduit hole	19.1mm(3/4") (M25) 12.7mm(1/2") (M20)
Supported products	XNP-9250/8250/6400/9250R/8250R/6400R ※ For further compatible models, please visit our website or use Toolbox

- The latest product information / specification can be found at hanwha-security.com
- Design and specifications are subject to change without notice.
- Wisenet is the proprietary brand of Hanwha Techwin, formerly known as Samsung Techwin.



SHP-1560FPW



SHP-1680FPW

3		
2	SHP-1680FPW	'21.04.27
1	SHP-1560FPW	'21.04.27
No.	MODEL NAME	DATE
Unit:mm[inch]		SCALE:1/1
Hanwha Techwin		