

TEST REPORT

 CTK Co., Ltd. <small>The Power Leader of Global Regulatory Certification</small>	CTK Co., Ltd. (Ho-dong) 113, Yejik-ro, Cheoin-gu, Yongin-shi Gyeonggi-do KOREA, REPUBLIC OF Tel: +82-31-339-9970 Fax: +82-31-624-9501	REPORT No.: CTK-K-2020-00480 Page (1) / (12) pages	 KOLAS TESTING NO. KT119
---	--	--	---

1. Applicant

◦ Name: Hanwha Techwin Co., Ltd.
 ◦ Address.....: Hanwha Techwin R&D center, 6 Pangyo-ro
 319Beon-gil, Bundang-gu, Seongnam-si,
 Gyeonggi-do, 13488 KOREA
 ◦ Date of Receipt.....: 2020-06-04

2. Manufacturer

◦ Name: Hanwha Techwin Co., Ltd.

3. Use of Report Quality control

4. Test sample / Model NETWORK CAMERA / XNP-9300RW

5. Date(s) of test 2020-06-11

6. Test Standard (Method) used..... KS C IEC 62262: 2005

7. Testing Environment.....
 Temperature: (25.0 ± 10.0) °C, Humidity: (50 ± 25) %R.H.,
 Air Pressure: (99.0 ± 2) kPa

8. Results Refer to each test items

The results shown in this test report refer only to the sample(s) tested unless otherwise stated.
 This report shall not be reproduced except in full without the written approval of CTK

Approval	Tested by: SooChan Bae  (Signature)	Technical Manager: YenHwang Jung  (Signature)
----------	--	--

The above testing certificate is the accredited test result by Korea Laboratory Accreditation Scheme (KOLAS), which signed the ILAC-MRA

2020-07-01

Accredited by KOLAS, Republic of KOREA

CTK Co., Ltd.



 <p>CTK Co., Ltd. The Prime Leader of Global Regulatory Certification</p>	<p>CTK Co., Ltd. (Ho-dong) 113, Yejik-ro, Cheoin-gu, Yongin-shi Gyeonggi-do KOREA, REPUBLIC OF Tel: +82-31-339-9970 Fax: +82-31-624-9501</p>	<p>Certificate No.: CTK-K-2020-00480 Page (2) / (12) pages</p>	
---	---	--	---

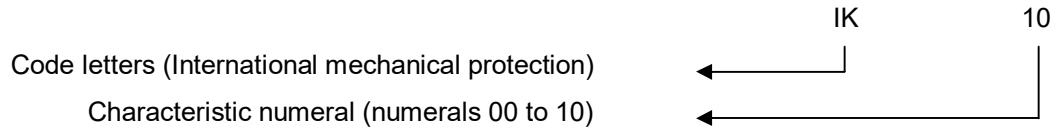
Test place

<p>Institution name</p>	<p>CTK Co., Ltd.</p>
<p>Address</p>	<p>113, Yejik-ro, Cheoin-gu, Yongin-si, Gyeonggi-do, Republic of Korea</p>

1. Degrees of protection provided by enclosures for electrical equipment against external mechanical impacts (IK code)

1.1 Test standard: KS C IEC 62262: 2005

1.2 Arrangement of the IK code



1.3 Vertical Hammer

1.3.1 Test equipment

Equipment	Model	Manufacturer	Serial
Vertical Hammer	50J	Kingpo	TX-029-4

1.3.2 Test condition

IK code	Impact Energy (J)	Equivalent mass (kg)	Drop height (mm ± 1%)	Application
00	Non-protected	-	-	<input type="checkbox"/>
01	0.14	0.25	56	<input type="checkbox"/>
02	0.20	0.25	80	<input type="checkbox"/>
03	0.35	0.25	140	<input type="checkbox"/>
04	0.50	0.25	200	<input type="checkbox"/>
05	0.70	0.25	280	<input type="checkbox"/>
06	1.00	0.25	400	<input type="checkbox"/>
07	2.00	0.50	400	<input type="checkbox"/>
08	5.00	1.70	300	<input type="checkbox"/>
09	10.00	5.00	200	<input type="checkbox"/>
10	20.00	5.00	400	<input checked="" type="checkbox"/>
- Impact times: five times for each of the exposed surface. (Do not impact more than 3 times in the same spot)				

1.3.3 Check Item

- External protection Enclosure damage check (except accessories not related to outer protection function)

 <p>CTK Co., Ltd. The Prime Leader of Global Republics Certification</p>	<p>CTK Co., Ltd. (Ho-dong) 113, Yejik-ro, Cheoin-gu, Yongin-shi Gyeonggi-do KOREA, REPUBLIC OF Tel: +82-31-339-9970 Fax: +82-31-624-9501</p>	<p>REPORT No.: CTK-2019-00xxx Page (4) / (12) pages</p>	 <p>KOREA LABORATORY ACCREDITATION SCHEME KOLAS TESTING NO. KT119</p>
--	---	---	---

1.3.4 Test Result

Item	Contents	Result
External protection Enclosure	No damage	Pass
<p>Comment</p> <p>Some scratches were generated on the outside of the product.</p>		

Manufacturer's name

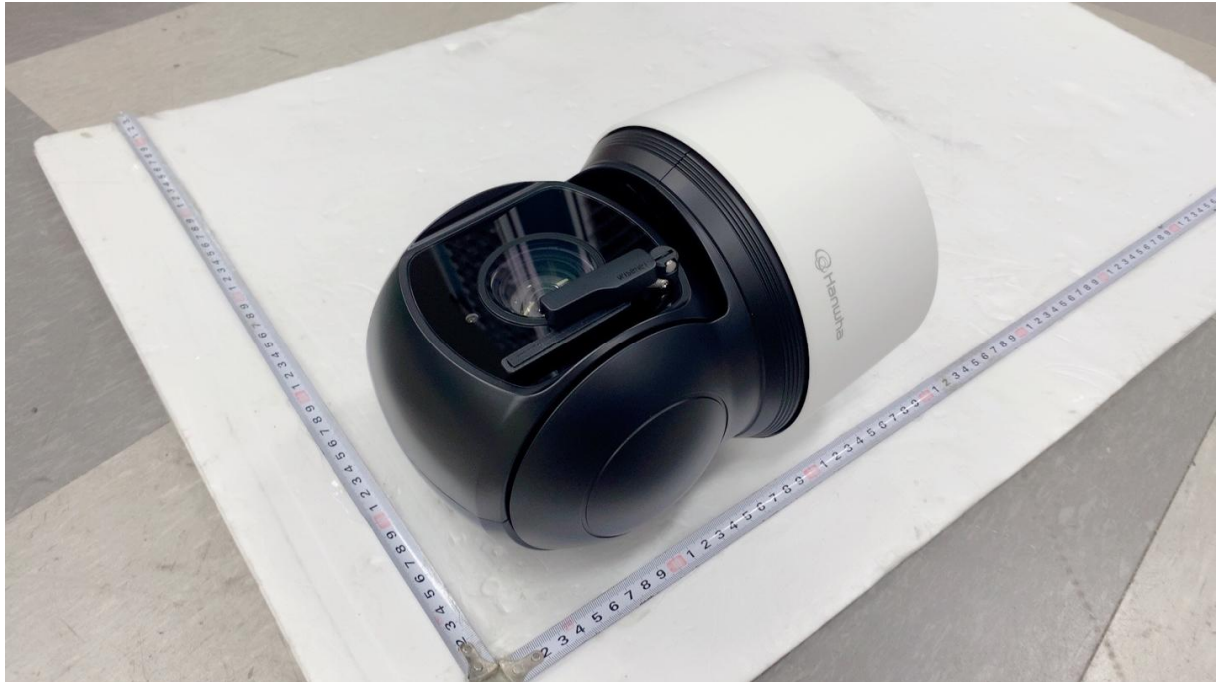
<p>Name and address of factory (ies)</p>	<ol style="list-style-type: none"> 1) HANWHA TECHWIN SECURITY VIETNAM CO.,LTD Lot O-2, Que Vo Industrial Zone extended area, Nam Son commune, Bac Ninh city, Bac Ninh province, Vietnam 2) D-TECH CO.,LTD. 173-25, Saneop-ro, Gwonseon-gu, Suwon-si, Gyeonggi-do, Korea(Suwon Industrial Complex)
--	---

Model description

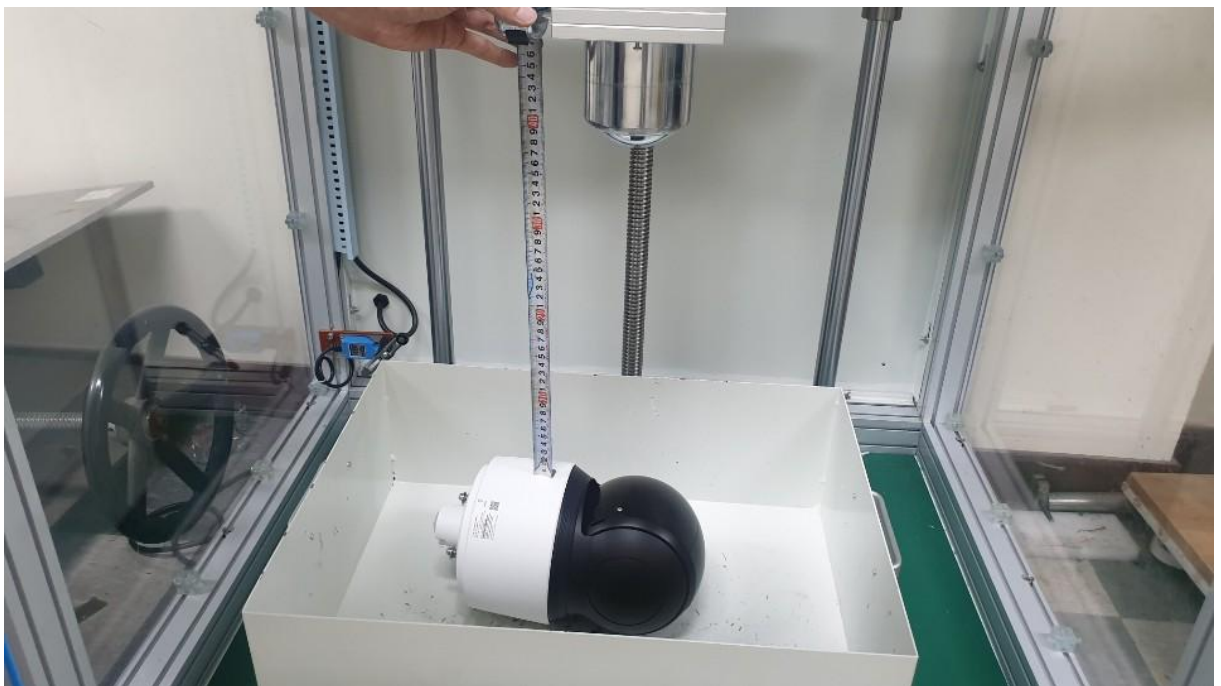
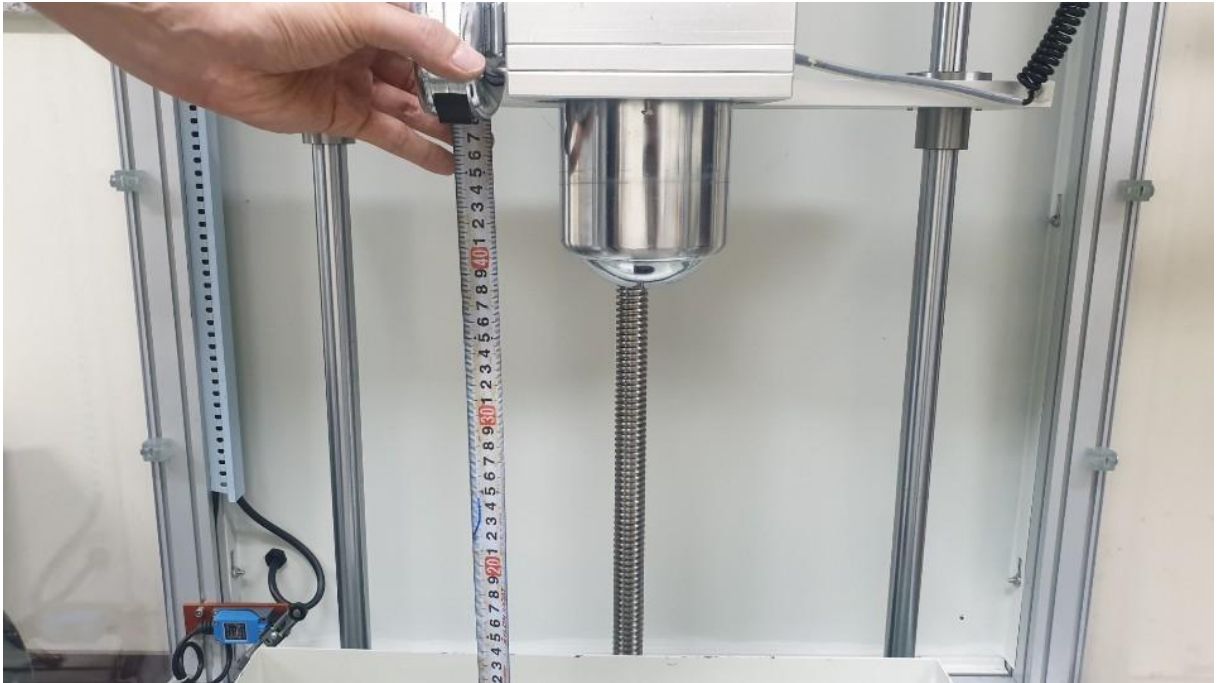
Basic Model	XNP-9300RW
Series model	XNP-8300RW, XNP-6400RW
Model differences	Use of the same external shape and materials (case, finishing material, PCB, cable, etc.), differences in electronic parts inside the product.

2. Attachment

2.1 Products



2.2 Test photos



2.3 Photos after test





CTK Co., Ltd.

(Ho-dong) 113, Yejik-ro, Cheoin-gu, Yongin-shi
Gyeonggi-do KOREA, REPUBLIC OF
Tel: +82-31-339-9970
Fax: +82-31-624-9501

REPORT No.:
CTK-2019-00xxx
Page (8) / (12) pages





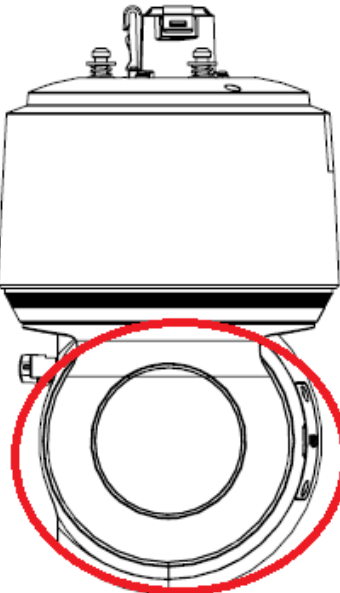
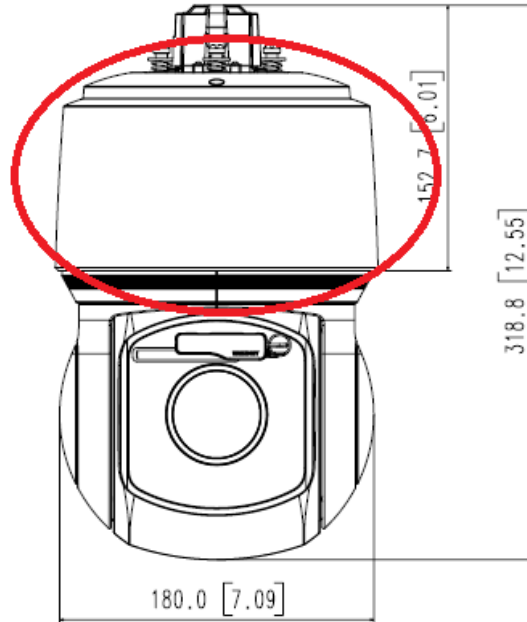
CTK Co., Ltd.

(Ho-dong) 113, Yejik-ro, Cheoin-gu, Yongin-shi
Gyeonggi-do KOREA, REPUBLIC OF
Tel: +82-31-339-9970
Fax: +82-31-624-9501

REPORT No.:
CTK-2019-00xxx
Page (9) / (12) pages



2.4 Enclosure Dimensions or Impact point (Unit: mm)

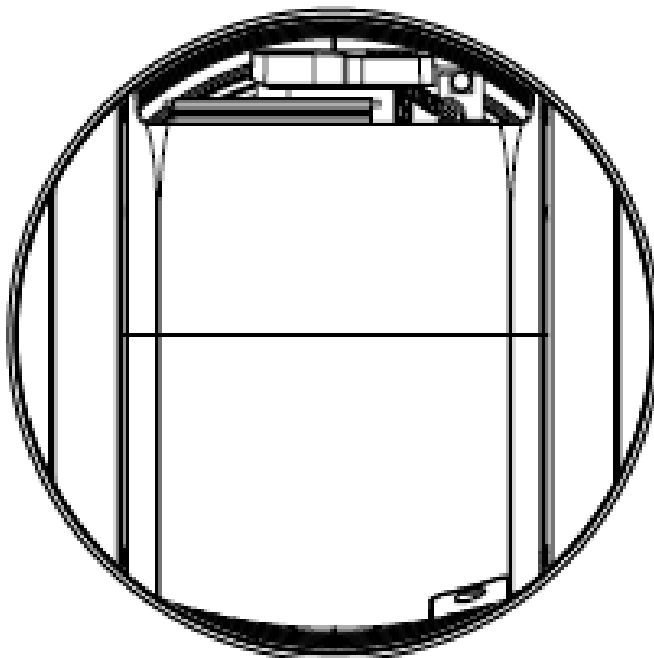
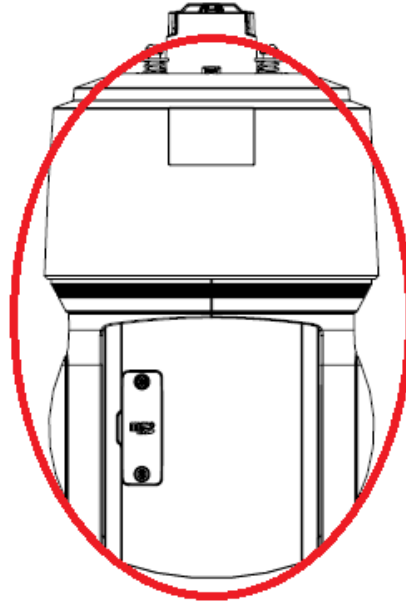




CTK Co., Ltd.

(Ho-dong) 113, Yejik-ro, Cheoin-gu, Yongin-shi
Gyeonggi-do KOREA, REPUBLIC OF
Tel: +82-31-339-9970
Fax: +82-31-624-9501

REPORT No.:
CTK-2019-00xxx
Page (11) / (12) pages





CTK Co., Ltd.

(Ho-dong) 113, Yejik-ro, Cheoin-gu, Yongin-shi
Gyeonggi-do KOREA, REPUBLIC OF
Tel: +82-31-339-9970
Fax: +82-31-624-9501

REPORT No.:
CTK-2019-00xxx
Page (12) / (12) pages

