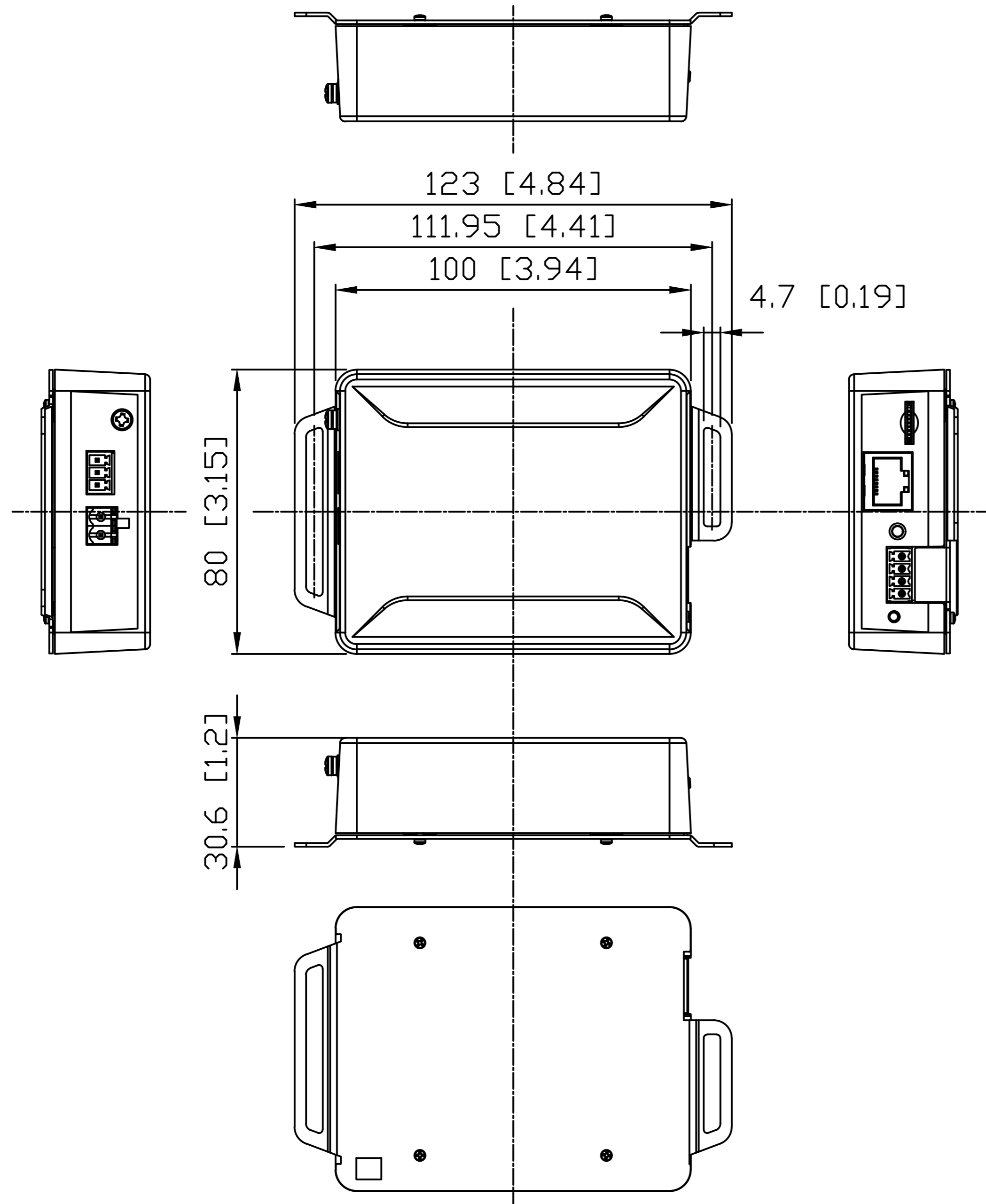
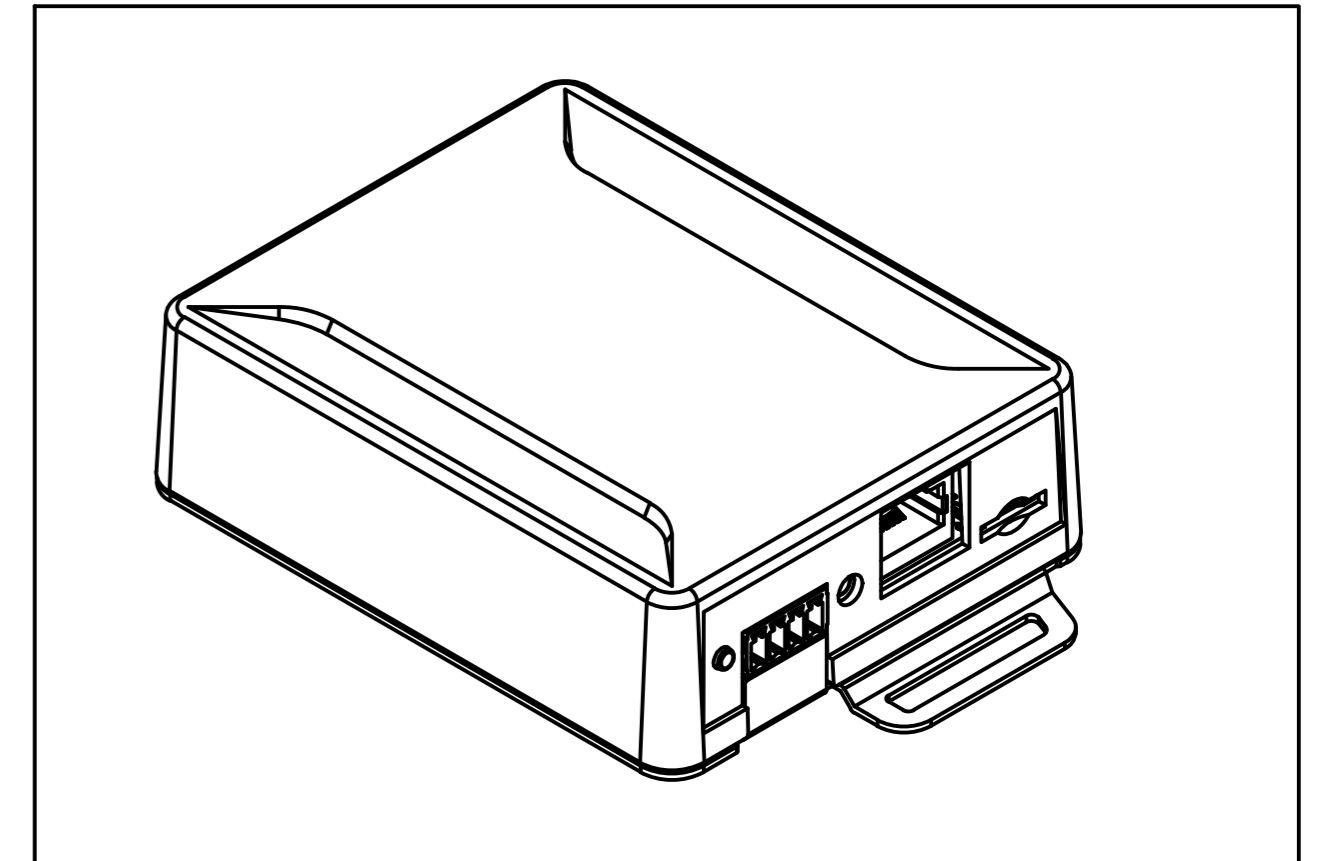


Reference image



SPA-B1000	V1.0	24.07.18
MODEL NAME	Version	DATE
Unit:mm[inch]	Paper Size :A2	SCALE:1/1
Hanwha Vision		